

LOW-HEIGHT TELESCOPIC CYLINDERS

Extended stroke for low clearance applications



ENERPAC 

▼ RLT-Series, Low-Height Telescopic Cylinder



For longer cylinder strokes in confined spaces



RLT-Series, Low-Height Telescopic Cylinders

Enerpac compact, low-height telescopic cylinders are available with two or three pistons, and can lift loads up to 40 mm in a single movement.

Nitrocarburization surface treatment for improved wear resistance and corrosion protection for increased safety and longer service life in harsh conditions.. The longer stroke length of telescopic cylinders will save you time and simplify projects by moving a load a greater distance and eliminating the use of temporary cribbing.

- **Single-acting, load-return**
- **Nitrocarburized surface treatment inside and out provides corrosion protection**
- **For use in confined spaces: machinery positioning, tool fastening**
- **Mounting bolt holes for easy fixing**
- **Up to 3% side-load of maximum capacity**
- **Design safety factor complies with ASME B30.1 & EN1494**
- **CR-400 coupler for compatibility with standard product**
- **High-Alloy steel for maximum strength.**



Multi-Stage Cylinders

1st Stage: maximum load capacity at lower stroke.
2nd Stage: extended stroke with lower capacity than the 1st stage.
Final Stage: maximum stroke extension with lowest capacity.



Cylinder Capacity at Maximum Stroke ton (kN)	Maximum Stroke (mm)	Model Number	Collapsed Height	Extended Height	Oil Capacity (cm ³)
			A (mm)	B (mm)	
4,4 (43)	17	RLT-40	45,0	62,0	21
4,4 (43)	23	RLT-41	54,0	77,0	51
11,4 (111)	18	RLT-110	54,5	72,5	48
11,4 (111)	40	RLT-111	89,0	129,0	241
23,7 (232)	27	RLT-230	75,0	102,0	150
23,7 (232)	32	RLT-231	96,0	128,0	303
31,5 (309)	29	RLT-311	89,0	118,0	224
50,6 (496)	26	RLT-501	96,0	122,0	283
74,1 (727)	26	RLT-741	114,0	140,0	426

Low-Height Telescopic Cylinders, Single-Acting



Assisted-return Pumps with Venturi Valve Technology

To improve productivity and plunger retraction,

Energpac offers valve configurations designed to accelerate your cylinder retraction speeds, ZU4 and ZE-Series pumps feature **Venturi Valve Technology** to facilitate the faster return of single-acting load and spring-return cylinders. See energpac.com for details.



4-way Manifold assembly complete with gauges

Offering ease of portability and convenience with an ergonomic robust design,

ready for use. Energpac's CR400 female couplers on all ports allow the manifold to be quickly connected to up to 4 cylinders. Glycerine filled, 700 bar gauges allow operators to work safely. All protected by the robust protection frame.

Manifold Type (Used for cylinders)	Model Number
4x Single-acting	AMGC41
4x Double-acting	AMGC42

RLT Series



Capacity:

4,4 - 74,1 ton

Stroke:

17 - 40 mm

Maximum Operating Pressure:

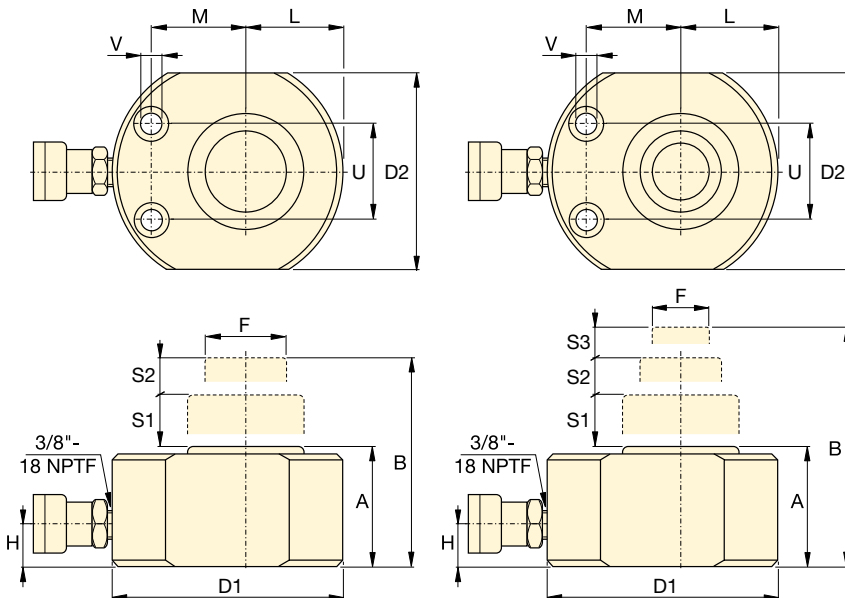
700 bar



Hoses

Energpac offers a complete line of high quality hydraulic hoses. To ensure the integrity of your system, specify only Energpac

hydraulic hoses.



RLT-Cylinders

Mounting Hole Dimensions (mm)

Model Number	Bolt Distance	Hole Diameter	Counter Bore Diameter	Counter Bore Depth
	U	V		
RLT-40	37	6,5	11	7
RLT-41	50	9,0	14	9
RLT-110	50	9,0	14	9
RLT-111	76	13,0	20	13
RLT-230	67	13,0	20	13
RLT-231	76	6,5	11	7
RLT-311	76	13,0	20	13
RLT-501	76	6,5	11	7
RLT-741	117	9,0	14	9

1st Stage		2nd Stage		3rd Stage		Outside Diameter D1 x D2 (mm)	Plunger Diameter F (mm)	Bottom to Advance Port H (mm)	Plunger to Base L (mm)	Plunger to Mounting Hole M (mm)	 (kg)	Model Number
Capacity ton (kN)	Stroke S1 (mm)	Capacity ton (kN)	Stroke S2 (mm)	Capacity ton (kN)	Stroke S3 (mm)							
11,4 (111)	11	4,4 (43)	6	-	-	83 x 56	25	20	29,0	33	1,8	RLT-40
23,7 (232)	11	11,4 (111)	7	4,4 (43)	5	102 x 80	25	20	41,0	39	3,1	RLT-41
23,7 (232)	11	11,4 (111)	7	-	-	102 x 80	38	20	41,0	39	3,0	RLT-110
74,1 (727)	16	31,5 (309)	13	11,4 (111)	11	165 x 140	38	25	70,5	66	13,1	RLT-111
50,6 (496)	16	23,7 (232)	11	-	-	140 x 114	57	20	58,0	56	7,6	RLT-230
94,7 (929)	16	50,6 (496)	10	23,7 (232)	6	178 x 162	57	29	89,0	70	17,3	RLT-231
74,1 (727)	16	31,5 (309)	13	-	-	165 x 140	60	25	70,5	66	13,0	RLT-311
94,7 (929)	16	50,6 (496)	10	-	-	178 x 162	78	29	89,0	70	17,3	RLT-501
143,5 (1407)	16	74,1 (727)	10	-	-	216 x 196	95	35	108,0	78	30,4	RLT-741



HYDRAULIC PUMPS

Enerpac hydraulic pumps are available in over 1000 different configurations. Whatever your application needs are for speed, control, intermittent or heavy-duty, Enerpac has the right solution for you. Featuring Hand, Battery, Electric, Air and Gasoline-powered models, Enerpac offers the most comprehensive pump line available.



P-Series, Hand Pumps



XC-Series, Battery-Powered Pumps



XA-Series, Air Driven Pumps



ZC-Series, Battery-Powered Pumps



ZU4-Series, Portable Electric Pumps



ZE-Series, Electric Pumps

9618GB © Enerpac 11-2018. Subject to change without notice.

www.enerpac.com

ENERPAC 
POWERFUL SOLUTIONS. GLOBAL FORCE.