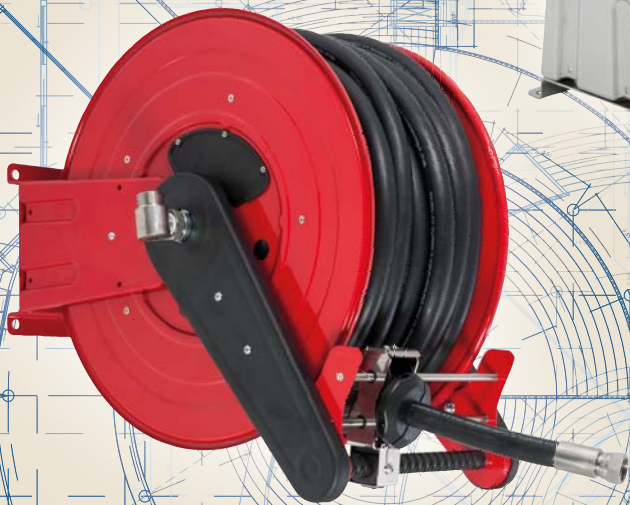
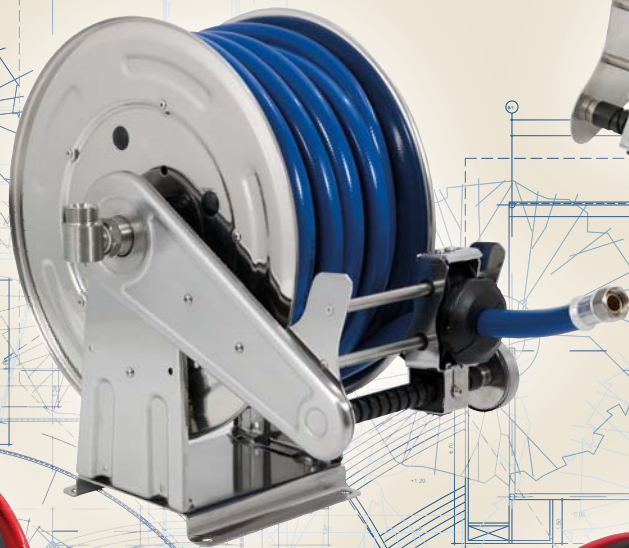




**NEW**

**MADE IN ITALY**



NEW LINE OF  
HOSE REELS  
WITH AUTOMATIC  
HOSE GUIDE  
**2 0 2 4**



**MADE IN ITALY**

# FLEX EVO THE NEW GENERATION HOSE REELS WITH



**ANDROMEDA**  
PAGE 6-13



**SIRIO**  
PAGE 20-25



**PAGE 5**



**GEMINI**  
PAGE 26-27



**THIN REEL**  
PAGE 32-33

# OLUTION ERATION OF H HOSE GUIDE



**ANDROMEDA**  
PAGE 6-13



**ORION**  
PAGE 14-16



**TITANO**  
PAGE 28-31



**ORION  
HEAVY-DUTY**  
PAGE 17-19



**ORION EASY**  
PAGE 19



# HOSE REEL CODE GUIDE

## MANUAL AND SPRING DRIVEN

01		02		03		04		05		06		07		08							
—		—		—		—		—		—		—		—							
<b>Model</b>																					
ANDROMEDA	A											<b>Special models</b>									
ANDROMEDA SG	ASG											BP	LONG GAP MODEL SUITABLE FOR LOW PRESSURE HOSES								
ORION RD	O											MR	HANDLES AND WHEELS FOR ORION HEAVY DUTY								
ORION SG	OSG											IR	HORIZONTAL HANDLE AND WHEELS FOR ORION HEAVY DUTY								
ORION HEAVY DUTY	OP											HB	HYDRAULIC BRAKE								
ORION HEAVY DUTY SG	OPSG																				
ORION EASY	OE																				
TITANO HEAVY DUTY WITH REINFORCED SPRING	T																				
<b>Material</b>																					
Painted steel	F											<b>Suitable for</b>									
Stainless steel	X											0	1/4" - 3/8" - 1/2"								
<b>Disc diameter</b>																					
Ø 434 mm	4											1	3/4" - 1"								
Ø 540 mm	5											2	1 1/4"								
Ø 600 mm	6											3	1 1/2"								
<b>Drum diameter</b>																					
Ø 250 mm	2											<b>Spring</b>									
Ø 335 mm	3											15	15 m								
<b>Spool width</b>																					
130 mm	13											20	20 m								
195 mm	19											25	25 m								
260 mm	26											25H50	25 m H50								
400 mm	40											35	35 m								
																--	MANUAL DRIVEN				

**EXAMPLE OF SPRING DRIVEN REEL CODE:**

**AX5326351:** Andromeda hose reel (A) made of stainless steel (X) Ø 540 disc (5), Ø 335 drum (3), 260 mm spool width (26), 35 m spring (35) and suitable for 3/4"-1" hoses (1).

**EXAMPLE OF MANUAL DRIVEN REEL CODE:**

**OPF52190IR :** Orion Heavy duty hose reel (OP) made of painted steel (F) Ø 540 disc (5), Ø 260 drum (2), 195 mm spool width (19), suitable for 1/4"-3/8" - 1/2" hoses (0) with wheels and horizontal handle (IR).

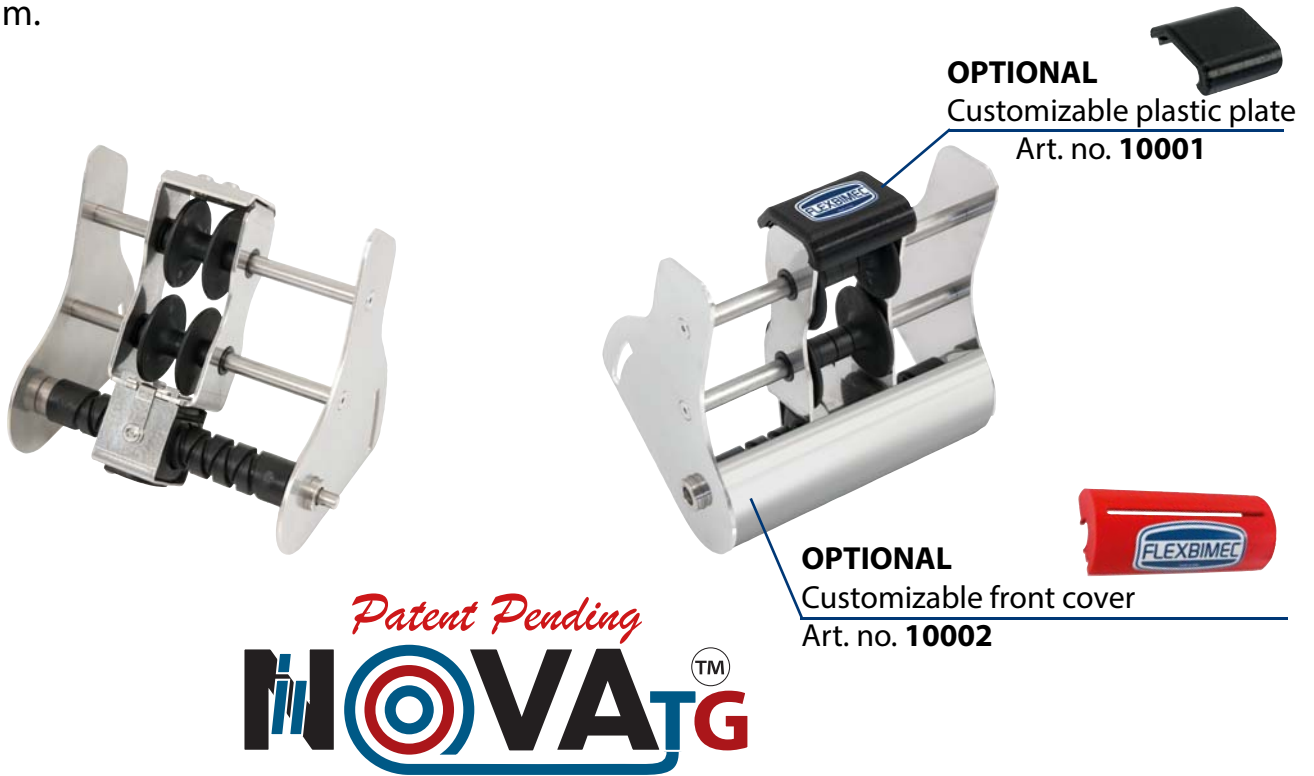
## MOTOR DRIVEN HOSE REELS

01		02		03		04		05		06		07		08							
—		—		—		—		—		—		—		—							
<b>Model</b>																					
SIRIO	S											<b>Special models</b>									
SIRIO V BRUSHLESS	SV											ID	SIRIO hydraulic version								
SIRIO COMPACT	SC																				
GEMINI	G																				
TITANO	T																				
<b>Material</b>																					
Painted steel	F											<b>Suitable for</b>									
Stainless steel	X											0	1/4" - 3/8" - 1/2"								
<b>Power supply voltage</b>																					
12V	12											1	3/4" - 1"								
24V	24											2	1 1/4"								
230V	23											3	1 1/2"								
PNEUMATIC	PN																				
WITHOUT POWER SUPPLY	SGA																				
<b>Disc diameter</b>																					
Ø 434 mm	4											<b>Spool width</b>									
Ø 540 mm	5											13	130 mm								
Ø 600 mm	6											19	195 mm								
<b>Drum diameter</b>																					
Ø 250 mm	2											26	260 mm								
Ø 335 mm	3											40	400 mm								
																60	600 mm				

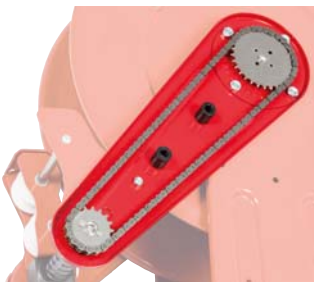
**EXAMPLE OF MOTOR DRIVEN REEL CODE:**

**SF2442130:** SIRIO hose reel (S) made of painted steel (F), with 24V power supply (24), Ø 434 disc (4), Ø 260 drum (2), 130 mm spool width (13) and suitable for 1/4" - 3/8" - 1/2" hoses (0).

FLEXBIMEC presents **NOVATG**, the hose guide for the orderly rewinding of the hose on the reel drum.



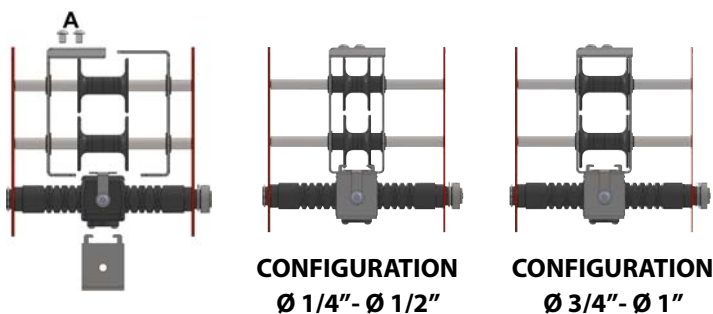
- Optimization of spaces during hose rewinding which assures a longer service life.
- Can also be assembled later on the new predisposed ANDROMEDA and ORION models (SG).
- Protects the operator in case of accidental releases.
- A single hose guide model for all hose diameters from Ø 1/4" to Ø 1".
- As standard it is supplied in AISI 304 stainless steel, on request in AISI 316.



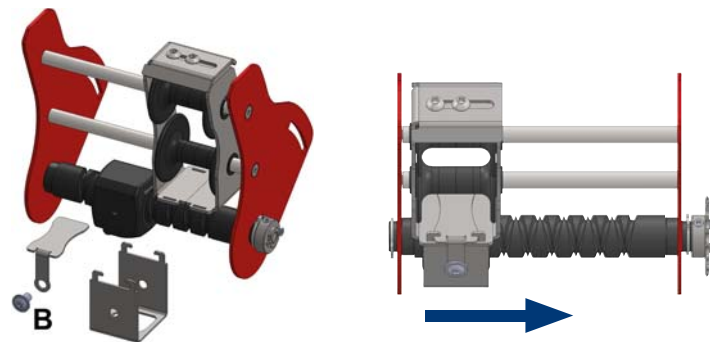
The hose guide is CHAIN DRIVEN, allowing for an orderly rewinding of the hose.



Belt drive available on request.



To position the hose, simply unfasten the screws (A) to configure the hose guide to accommodate 1/4" - 1/2" hoses or 3/4" - 1" hoses.

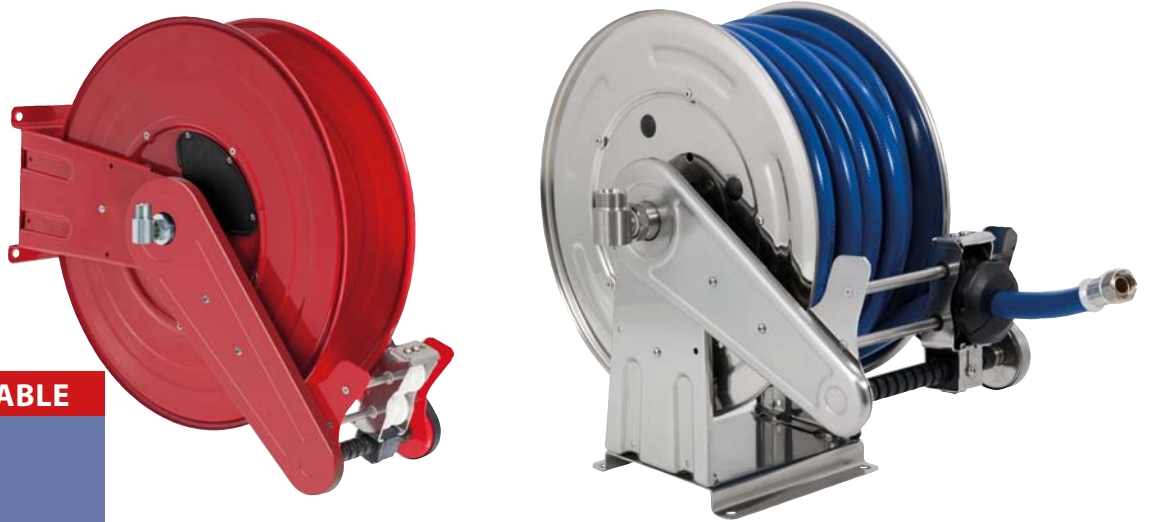


For positioning the hose guide just unfasten the screw (B) to release the front panel from the constraint of threaded pin and rotate the mother bolt in the desired position.

The hose guide is supplied in the above position and already configured to follow the correct direction on first use.

The new **ANDROMEDA** hose reel line has been designed focussing on improving the technical aspects of our previous models. The completely renewed modular design allows for vast choice of models and **adds the NOVA<sup>®</sup> automatic hose guide** that allows for the orderly rewinding of the hose.

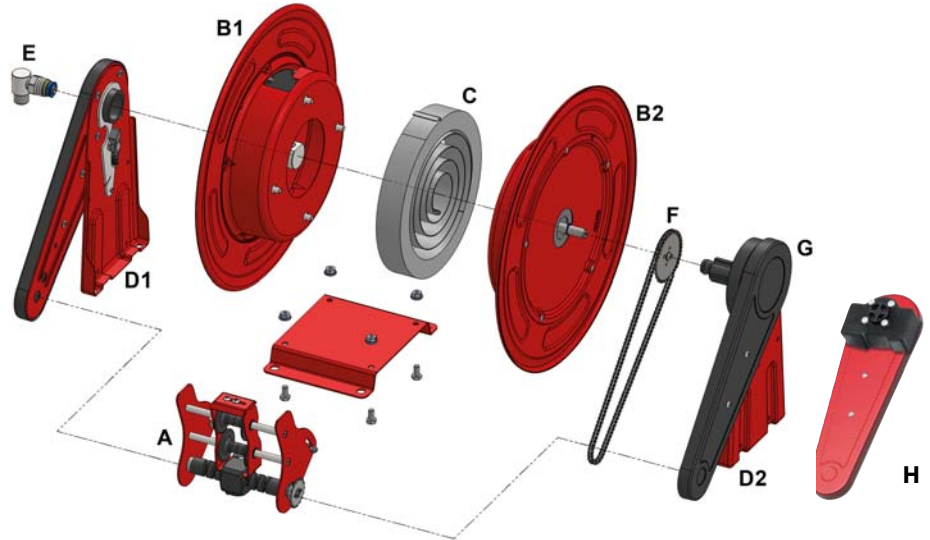
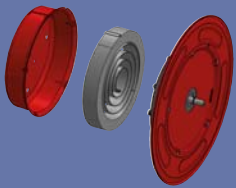
It can also be integrated later with the hydraulic **HB**  brake kit inserted directly on the guide arm (see image C below), which safely controls the reel rewind speed.



### 3 VERSIONS AVAILABLE

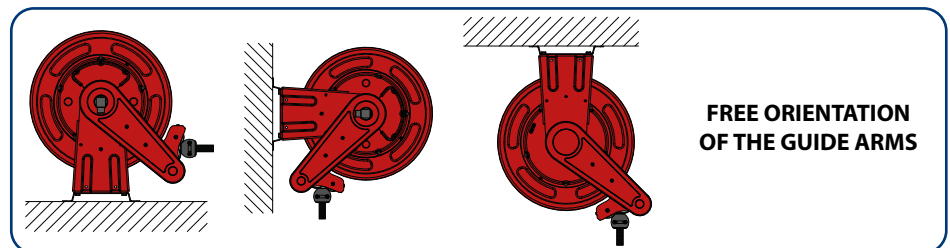
- Painted steel;
- Aisi 304;
- Aisi 316

Greater security for the operator thanks to location of the spring "C" within the group disc/drum "B2"



### LEGEND

- A **NOVA<sup>®</sup>** hose guide
- B1 Hose exit side disc/drum assembly
- B2 Spring side disc/drum assembly
- C Spring
- D1 Swivel side base arm
- D2 Spring side base arm
- E Swivel joint
- F Drive
- G Guide arm cover
- H HB hydraulic brake



## HYDRAULIC BRAKE KIT HB REWIND CONTROL



### OPTIONAL

**HB Spring brake hydraulic kit / PATENTED**  
 Safety device for a controlled rewinding of the hose.  
 Restrains the hose in case of accidental releases, lowering risks for the operator.  
**Patent no. 0001426967**



Scan the QR code to watch the video

### (C) BRAKE KIT COMPOSITION



WITH HOSE GUIDE

HOSE GUIDE KIT



## 400 SERIES - A1 Ø Disc 434 mm - Spool 130 mm - Drum 250 mm

	Art.no. WITH HOSE GUIDE	Max. pressure joint	Connection threads IN - OUT	Spring	Max diameter hose	Max length hose (m)	Pivoting wall bracket	Swivel joint *
<b>PAINTED STEEL</b>	AF4213150	600 bar **	1/2"(M)-1/2"(F)	15m	1/4" - 3/8" - 1/2"	15		9951
	AF4213200			20m	1/4" - 3/8" - 1/2"	20		
	AF4213250			25m	1/4" - 3/8" - 1/2"	25		
	AF4213151	100 bar	1"(M)-3/4"(F)	15m	3/4" - 1"	12 - 6		9986
<b>AISI 304 STAINLESS STEEL</b>	AX4213150	200 bar **	1/2"(M)-1/2"(F)	15m	1/4" - 3/8" - 1/2"	15		9963
	AX4213200			20m	1/4" - 3/8" - 1/2"	20		
	AX4213250			25m	1/4" - 3/8" - 1/2"	25		
	AX4213151	100 bar	1"(M)-3/4"(F)	15m	3/4" - 1"	12 - 6		9986

## 400 SERIES - A2 Ø Disc 434 mm - Spool 195 mm - Drum 250 mm

	Art.no. WITH HOSE GUIDE	Max. pressure joint	Connection threads IN - OUT	Spring	Max diameter hose	Max length hose (m)	Pivoting wall bracket	Swivel joint *
<b>PAINTED STEEL</b>	AF4219200	600 bar **	1/2"(M)-1/2"(F)	20m	1/4" - 3/8" - 1/2"	20		9951
	AF4219250			25m	1/4" - 3/8" - 1/2"	25		
	AF4219151	100 bar	1"(M)-3/4"(F)	15m	3/4" - 1"	15 - 10		9986
<b>AISI 304 STAINLESS STEEL</b>	AX4219200	200 bar **	1/2"(M)-1/2"(F)	20m	1/4" - 3/8" - 1/2"	20		9963
	AX4219250			25m	1/4" - 3/8" - 1/2"	25		
	AX4219151	100 bar	1"(M)-3/4"(F)	15m	3/4" - 1"	15 - 10		9986

## 400 SERIES - A3 Ø Disc 434 mm - Spool 260 mm - Drum 250 mm

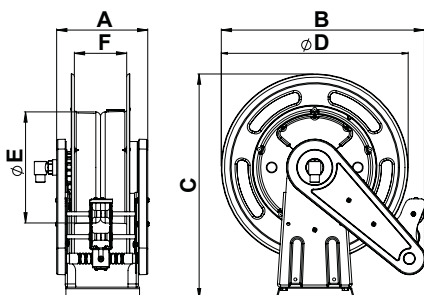
	Art.no. WITH HOSE GUIDE	Max. pressure joint	Connection threads IN - OUT	Spring	Max diameter hose	Max length hose (m)	Pivoting wall bracket	Swivel joint <sup>1)</sup>
<b>PAINTED STEEL</b>	AF4226201	100 bar	1"(M)-3/4"(F)	20m	3/4"	20		9986
	AF4226151			15m	1"	15		
<b>AISI 304 STAINLESS STEEL</b>	AX4226201	100 bar	1"(M)-3/4"(F)	20m	3/4"	20		9986
	AX4226151			15m	1"	15		

\*) The reels in painted steel are equipped with mineral oil compatible swivel joint gaskets. The hose reels in stainless steel come with water-compatible Viton® swivel joint gaskets. See pages 34-36 for the complete range of swivel joints with gaskets compatible with other liquids.

\*\*\*) When ordering, specify whether or not the application implies the use of low pressure hoses (see page 37 regarding the splitting of the roller).

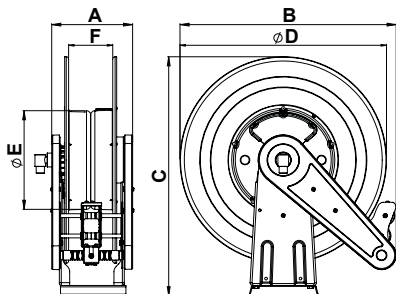
## DIMENSIONS AND PACKAGING

Art.no.	D (mm)	F (mm)	E (mm)	A-B-C (mm)	Packaging dimensions (mm)	Weight (kg)
<b>A1</b>	434	130	250	212x474x522	600x370x620	15
<b>A2</b>	434	195	250	276x474x523	600x370x620	19
<b>A3</b>	434	260	250	339x474x523	560x490x560	21



WITH HOSE GUIDE

HOVA<sup>®</sup> HOSE GUIDE KIT



## 500 SERIES - A4 Ø Disc 540 mm - Spool 130 mm - Drum 250 mm

	Art.no. WITH HOSE GUIDE	Max. pressure joint	Connection threads IN - OUT	Spring	Max diameter hose	Max length hose (m)	Pivoting wall bracket	Swivel joint*
PAINTED STEEL	AF5213200	600 bar **	1/2"(M)-1/2"(F)	20m	1/4"-3/8"-1/2"	20	9767	9951
	AF5213250			25m		25		
	AF5213201	100 bar	1"(M)-3/4"(F)	20m	3/4" 1"	20 12		
AISI 304 STAINLESS STEEL	AX5213200	200 bar **	1/2"(M)-1/2"(F)	20m	1/4"-3/8"-1/2"	20	9760	9963
	AX5213250			25m		25		
	AX5213201	100 bar	1"(M)-3/4"(F)	20m	3/4" 1"	20 12		

## 500 SERIES - A5 Ø Disc 540 mm - Spool 195 mm - Drum 250 mm

	Art.no. WITH HOSE GUIDE	Max. pressure joint	Connection threads IN - OUT	Spring	Max diameter hose	Max length hose (m)	Pivoting wall bracket	Swivel joint*
PAINTED STEEL	AF521925H501	100 bar	1"(M)-3/4"(F)	25mH50	3/4"	25	15001	9986
	AF5219201			20m	3/4" 1"	20 18		
	AX5219201			100 bar	1"(M)-3/4"(F)	20m		
AISI 304 STAINLESS STEEL	AX521925H501	100 bar	1"(M)-3/4"(F)	25mH50	3/4"	25	20001	9986
	AX5219201			20m	3/4" 1"	20 18		
	AX5219201			100 bar	1"(M)-3/4"(F)	20m		

## 500 SERIES - A6 Ø Disc 540 mm - Spool 260 mm - Drum 250 mm

	Art.no. WITH HOSE GUIDE	Max. pressure joint	Connection threads IN - OUT	Spring	Max diameter hose	Max length hose (m)	Pivoting wall bracket	Swivel joint*
PAINTED STEEL	AF522625H501	100 bar	1"(M)-3/4"(F)	25mH50	3/4" - 1"	25	15002	9986
AISI 304 STAINLESS STEEL	AX522625H501	100 bar	1"(M)-3/4"(F)	25mH50	3/4" - 1"	25	20002	9986

\*) The reels in painted steel are equipped with mineral oil compatible swivel joint gaskets. The hose reels in stainless steel come with water-compatible Viton<sup>®</sup> swivel joint gaskets. See pages 34-36 for the complete range of swivel joints with gaskets compatible with other liquids.

\*\* ) When ordering, specify whether or not the application implies the use of low pressure hoses (see page 37 regarding the splitting of the roller).

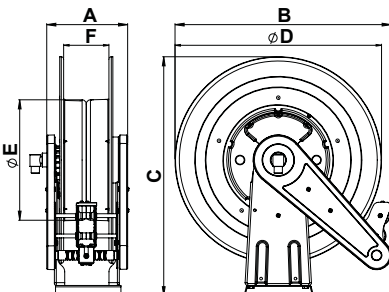
## DIMENSIONS AND PACKAGING

Art.no.	D (mm)	F (mm)	E (mm)	A-B-C (mm)	Packaging dimensions (mm)	Weight (kg)
A4	540	130	250	212x565x625	700x370x700	20
A5	540	195	250	281x565x626	700x420x660	22
A6	540	260	250	346x565x626	700x420x660	23



WITH HOSE GUIDE

NOVA<sup>®</sup> HOSE GUIDE KIT



## 500 SERIES - A7 Ø Disc 540 mm - Spool 130 mm - Drum 335 mm

	Art.no. WITH HOSE GUIDE	Max. pressure joint	Connection threads IN - OUT	Spring	Max diameter hose	Max length hose (m)	Pivoting wall bracket	Swivel joint*
PAINTED STEEL	AF5313200	600 bar **	1/2"(M)-1/2"(F)	20m	1/4"-3/8"-1/2"	20	9767	9951
	AF5313350			35m		35		
	AF5313201	100 bar	1"(M)-3/4"(F)	20m	3/4"	20		9986
				1"	12			
AISI 304 STAINLESS STEEL	AX5313200	200 bar **	1/2"(M)-1/2"(F)	20m	1/4"-3/8"-1/2"	20	9760	9963
	AX5313350			35m		35		
	AX5313201	100 bar	1"(M)-3/4"(F)	20m	3/4"	20		9986
				1"	12			

## 500 SERIES - A8 Ø Disc 540 mm - Spool 195 mm - Drum 335 mm

	Art.no. WITH HOSE GUIDE	Max. pressure joint	Connection threads IN - OUT	Spring	Max diameter hose	Max length hose (m)	Pivoting wall bracket	Swivel joint*
PAINTED STEEL	AF5319350	600 bar **	1/2"(M)-1/2"(F)	35m	1/4"-3/8"-1/2"	35	15001	9951
	AF5319351					30		
	AF5319201	100 Bar	1"(M)-3/4"(F)	20m	3/4"	20		9986
				1"	18			
AISI 304 STAINLESS STEEL	AX5319350	200 bar **	1/2"(M)-1/2"(F)	35m	1/4"-3/8"-1/2"	35	20001	9963
	AX5319351					30		
	AX5319201	100 Bar	1"(M)-3/4"(F)	20m	3/4"	20		9986
				1"	18			

## 500 SERIES - A9 Ø Disc 540 mm - Spool 260 mm - Drum 335 mm

	Art.no. WITH HOSE GUIDE	Max. pressure joint	Connection threads IN - OUT	Spring	Max diameter hose	Max length hose (m)	Pivoting wall bracket	Swivel joint*
PAINTED STEEL	AF5326350	600 bar **	1/2"(M)-1/2"(F)	35m	1/4"-3/8"-1/2"	35	15002	9951
	AF5326351							
	AF5326351	100 bar	1"(M)-3/4"(F)	25	25	9986		
AISI 304 STAINLESS STEEL	AX5326350	200 bar **	1/2"(M)-1/2"(F)	35m	1/4"-3/8"-1/2"	35	20002	9963
	AX5326351							
	AX5326351	100 bar	1"(M)-3/4"(F)	25	25	9986		

\*) The reels in painted steel are equipped with mineral oil compatible swivel joint gaskets. The hose reels in stainless steel come with water-compatible Viton<sup>®</sup> swivel joint gaskets. See pages 34-36 for the complete range of swivel joints with gaskets compatible with other liquids.

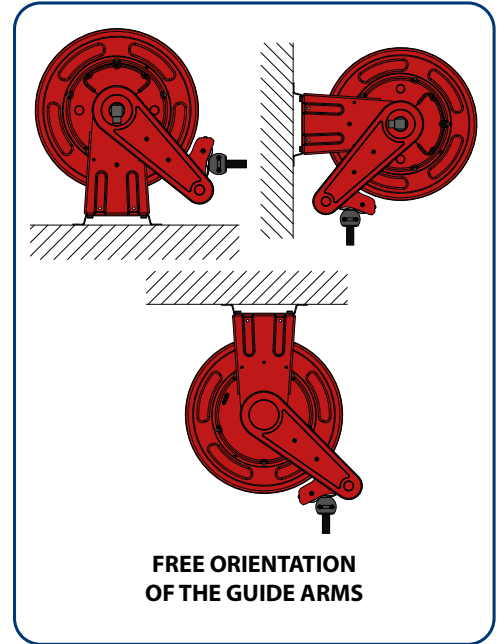
\*\*\*) When ordering, specify whether or not the application implies the use of low pressure hoses (see page 37 regarding the splitting of the roller).

## DIMENSIONS AND PACKAGING

Art.no.	D (mm)	F (mm)	E (mm)	A-B-C (mm)	Packaging dimensions (mm)	Weight (kg)
A7	540	130	335	281x565x626	700x420x660	20
A8	540	195	335	281x565x626	700x420x660	22
A9	540	260	335	346x565x626	700x420x660	23

The new **ANDROMEDA** hose reel line is also offered in a **version without hose guide but predisposed** to be equipped with the **NOVA<sup>TG</sup>** hose guide kit later.

It can also be integrated later with the hydraulic **HB**  brake kit inserted on the guide arm cover. (see image C below), which safely controls the rewind speed of the reel.



## CONVERSION KIT FOR HOSE REEL WITH PREDISPOSITION FOR **NOVA<sup>TG</sup>** HOSE GUIDE



Kit including hose guide and drive (chain or belt) suitable for the application of **NOVA<sup>TG</sup>** hose guide on the predisposed models.

## HYDRAULIC BRAKE KIT HB REWIND CONTROL



### OPTIONAL

**HB Spring brake hydraulic kit / PATENTED**  
Safety device for a controlled rewinding of the hose.  
Restrains the hose in case of accidental releases, lowering risks for the operator.  
**Patent no. 0001426967**



Scan the QR code to watch the video



**WITHOUT HOSE GUIDE**

PREDISPOSED TO BE EQUIPPED WITH HOSE GUIDE AND/OR HB BRAKE



## 400 SERIES - ASG1 Ø Disc 434 mm - Spool 130 mm - Drum 250 mm

	Art.no. WITHOUT HOSE GUIDE	Max. pressure joint	Connection threads IN - OUT	Spring	Max diameter hose	Max length hose (m)	Pivoting wall bracket	Swivel joint*
<b>PAINTED STEEL</b>	ASGF4213150	600 bar **	1/2"(M)-1/2"(F)	15m	1/4" - 3/8" - 1/2"	15	9767	9951
	ASGF4213200			20m	1/4" - 3/8" - 1/2"	20		
	ASGF4213250			25m	1/4" - 3/8" - 1/2"	25		
	ASGF4213151	100 bar	1"(M)-3/4"(F)	15m	3/4" - 1"	12 - 6		9986
<b>AISI 304 STAINLESS STEEL</b>	ASGX4213150	200 bar **	1/2"(M)-1/2"(F)	15m	1/4" - 3/8" - 1/2"	15	9760	9963
	ASGX4213200			20m	1/4" - 3/8" - 1/2"	20		
	ASGX4213250			25m	1/4" - 3/8" - 1/2"	25		
	ASGX4213151	100 bar	1"(M)-3/4"(F)	15m	3/4" - 1"	12 - 6		9986

## 400 SERIES - ASG2 Ø Disc 434 mm - Spool 195 mm - Drum 250 mm

	Art.no. WITHOUT HOSE GUIDE	Max. pressure joint	Connection threads IN - OUT	Spring	Max diameter hose	Max length hose (m)	Pivoting wall bracket	Swivel joint*
<b>PAINTED STEEL</b>	ASGF4219200	600 bar **	1/2"(M)-1/2"(F)	20m	1/4" - 3/8" - 1/2"	20	15001	9951
	ASGF4219250			25m	1/4" - 3/8" - 1/2"	25		
	ASGF4219151	100 bar	1"(M)-3/4"(F)	15m	3/4" - 1"	15 - 10		9986
<b>AISI 304 STAINLESS STEEL</b>	ASGX4219200	200 bar **	1/2"(M)-1/2"(F)	20m	1/4" - 3/8" - 1/2"	20	20001	9963
	ASGX4219250			25m	1/4" - 3/8" - 1/2"	25		
	ASGX4219151	100 bar	1"(M)-3/4"(F)	15m	3/4" - 1"	15 - 10		9986

## 400 SERIES - ASG3 Ø Disc 434 mm - Spool 260 mm - Drum 250 mm

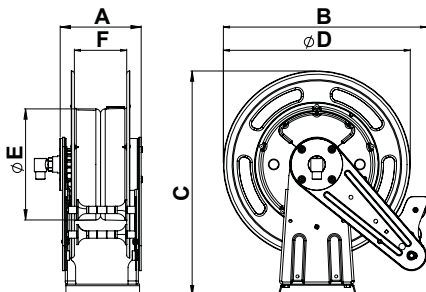
	Art.no. WITHOUT HOSE GUIDE	Max. pressure joint	Connection threads IN - OUT	Spring	Max diameter hose	Max length hose (m)	Pivoting wall bracket	Swivel joint*
<b>PAINTED STEEL</b>	ASGF4226201	100 bar	1"(M)-3/4"(F)	20m	3/4"	20	15002	9986
	ASGF4226151			15m	1"	15		
<b>AISI 304 STAINLESS STEEL</b>	ASGX4226201	100 bar	1"(M)-3/4"(F)	20m	3/4"	20	20002	9986
	ASGX4226151			15m	1"	15		

\*) The reels in painted steel are equipped with mineral oil compatible swivel joint gaskets. The hose reels in stainless steel come with water-compatible Viton® swivel joint gaskets. See pages 34-36 for the complete range of swivel joints with gaskets compatible with other liquids.

\*\*\*) When ordering, specify whether or not the application implies the use of low pressure hoses (see page 37 regarding the splitting of the roller).

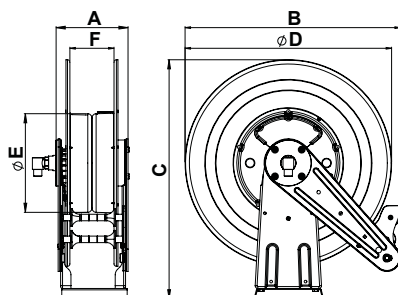
## DIMENSIONS AND PACKAGING

Art.no.	D (mm)	F (mm)	E (mm)	A-B-C (mm)	Packaging dimensions (mm)	Weight (kg)
<b>ASG1</b>	434	130	250	212x474x522	600x370x620	15
<b>ASG2</b>	434	195	250	276x474x523	600x370x620	19
<b>ASG3</b>	434	260	250	339x474x523	560x490x560	21



WITHOUT HOSE GUIDE

PREDISPOSED TO BE EQUIPPED WITH **NOVA** HOSE GUIDE AND/OR HB BRAKE



## 500 SERIES - ASG4 Ø Disc 540 mm - Spool 130 mm - Drum 250 mm

	Art.no. WITHOUT HOSE GUIDE	Max. pressure joint	Connection threads IN - OUT	Spring	Max diameter hose	Max length hose (m)	Pivoting wall bracket	Swivel joint*
PAINTED STEEL	ASGF5213200	600 bar **	1/2"(M)-1/2"(F)	20m	1/4"-3/8"-1/2"	20	9767	9951
	ASGF5213250			25m		25		
	ASGF5213201	100 bar	1"(M)-3/4"(F)	20m	3/4" 1"	20 12		
AISI 304 STAINLESS STEEL	ASGX5213200	200 bar **	1/2"(M)-1/2"(F)	20m	1/4"-3/8"-1/2"	20	9760	9963
	ASGX5213250			25m		25		
	ASGX5213201	100 bar	1"(M)-3/4"(F)	20m	3/4" 1"	20 12		

## 500 SERIES - ASG5 Ø Disc 540 mm - Spool 195 mm - Drum 250 mm

	Art.no. WITHOUT HOSE GUIDE	Max. pressure joint	Connection threads IN - OUT	Spring	Max diameter hose	Max length hose (m)	Pivoting wall bracket	Swivel joint*
PAINTED STEEL	ASGF521925H501	100 bar	1"(M)-3/4"(F)	25mH50	3/4"	25	15001	9986
	ASGF5219201			20m	3/4"	20		
				1"	18			
AISI 304 STAINLESS STEEL	ASGX521925H501	100 bar	1"(M)-3/4"(F)	25mH50	3/4"	25	20001	9986
	ASGX5219201			20m	3/4"	20		
				1"	18			

## 500 SERIES - ASG6 Ø Disc 540 mm - Spool 260 mm - Drum 250 mm

	Art.no. WITHOUT HOSE GUIDE	Max. pressure joint	Connection threads IN - OUT	Spring	Max diameter hose	Max length hose (m)	Pivoting wall bracket	Swivel joint*
PAINTED STEEL	ASGF522625H501	100 bar	1"(M)-3/4"(F)	25mH50	3/4" - 1"	25	15002	9986
AISI 304 STAINLESS STEEL	ASGX522625H501	100 bar	1"(M)-3/4"(F)	25mH50	3/4" - 1"	25	20002	9986

\*) The reels in painted steel are equipped with mineral oil compatible swivel joint gaskets. The hose reels in stainless steel come with water-compatible Viton® swivel joint gaskets. See pages 34-36 for the complete range of swivel joints with gaskets compatible with other liquids.

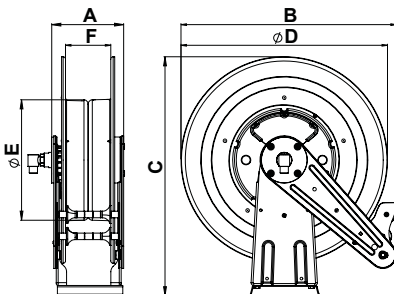
\*\* ) When ordering, specify whether or not the application implies the use of low pressure hoses (see page 37 regarding the splitting of the roller).

## DIMENSIONS AND PACKAGING

Art.no.	D (mm)	F (mm)	E (mm)	A-B-C (mm)	Packaging dimensions (mm)	Weight (kg)
ASG4	540	130	250	212x565x625	700x370x700	20
ASG5	540	195	250	281x565x626	700x420x660	22
ASG6	540	260	250	346x565x626	700x420x660	23

**WITHOUT HOSE GUIDE**

PREDISPOSED TO BE EQUIPPED WITH HOSE GUIDE AND/OR HB BRAKE



## 500 SERIES - ASG7 Ø Disc 540 mm - Spool 130 mm - Drum 335 mm

	Art.no. WITHOUT HOSE GUIDE	Max. pressure joint	Connection threads IN - OUT	Spring	Max diameter hose	Max length hose (m)	Pivoting wall bracket	Swivel joint*
<b>PAINTED STEEL</b>	ASGF5313200	600 bar	1/2"(M)-1/2"(F)	20m	1/4"-3/8"-1/2"	20		9951
	ASGF5313350	**		35m		35		
	ASGF5313201	100 bar	1"(M)-3/4"(F)	20m	3/4"	20		9986
<b>AISI 304 STAINLESS STEEL</b>	ASGX5313200	200 bar	1/2"(M)-1/2"(F)	20m	1/4"-3/8"-1/2"	20		9963
	ASGX5313350	**		35m		35		
	ASGX5313201	100 bar	1"(M)-3/4"(F)	20m	3/4"	20		9986
					1"	12		

## 500 SERIES - ASG8 Ø Disc 540 mm - Spool 195 mm - Drum 335 mm

	Art.no. WITHOUT HOSE GUIDE	Max. pressure joint	Connection threads IN - OUT	Spring	Max diameter hose	Max length hose (m)	Pivoting wall bracket	Swivel joint*
<b>PAINTED STEEL</b>	ASGF5319350	600 bar	1/2"(M)-1/2"(F)	35m	1/4"-3/8"-1/2"	35		9951
	ASGF5319351	**				30		
	ASGF5319201	100 Bar	1"(M)-3/4"(F)	20m	3/4"	20		9986
<b>AISI 304 STAINLESS STEEL</b>	ASGX5319350	200 bar	1/2"(M)-1/2"(F)	35m	1/4"-3/8"-1/2"	35		9963
	ASGX5319351	**				30		
	ASGX5319201	100 Bar	1"(M)-3/4"(F)	20m	3/4"	20		9986
					1"	18		

## 500 SERIES - ASG9 Ø Disc 540 mm - Spool 260 mm - Drum 335 mm

	Art.no. WITHOUT HOSE GUIDE	Max. pressure joint	Connection threads IN - OUT	Spring	Max diameter hose	Max length hose (m)	Pivoting wall bracket	Swivel joint*
<b>PAINTED STEEL</b>	ASGF5326350	600 bar	1/2"(M)-1/2"(F)	35m	1/4"-3/8"-1/2"	35		9951
	ASGF5326351	**						
	ASGF5326351	100 bar	1"(M)-3/4"(F)		1"	25		9986
<b>AISI 304 STAINLESS STEEL</b>	ASGX5326350	200 bar	1/2"(M)-1/2"(F)	35m	1/4"-3/8"-1/2"	35		9963
	ASGX5326351	**						
	ASGX5326351	100 bar	1"(M)-3/4"(F)		1"	25		9986

\*) The reels in painted steel are equipped with mineral oil compatible swivel joint gaskets. The hose reels in stainless steel come with water-compatible Viton® swivel joint gaskets. See pages 34-36 for the complete range of swivel joints with gaskets compatible with other liquids.

\*\*\*) When ordering, specify whether or not the application implies the use of low pressure hoses (see page 37 regarding the splitting of the roller).

## DIMENSIONS AND PACKAGING

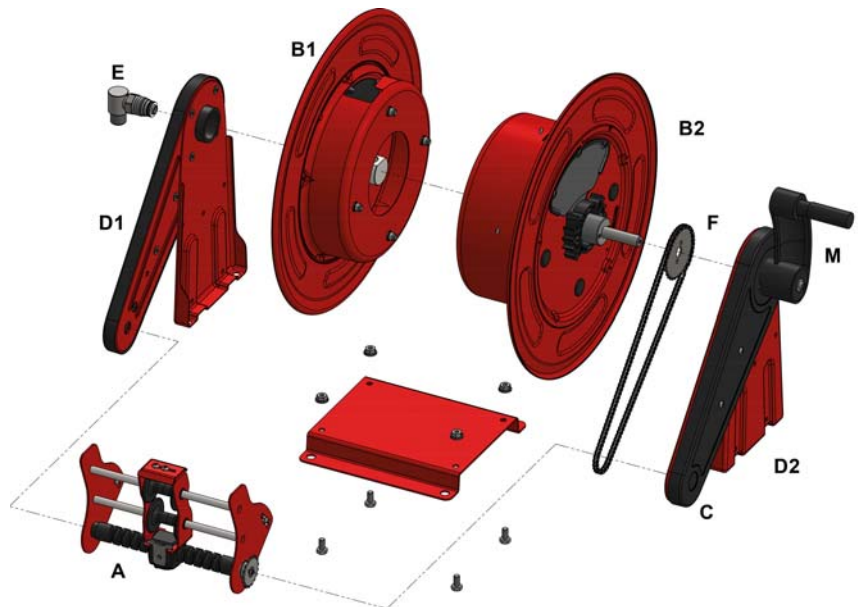
Art.no.	D (mm)	F (mm)	E (mm)	A-B-C (mm)	Packaging dimensions (mm)	Weight (kg)
<b>ASG7</b>	540	130	335	281x565x626	700x420x660	20
<b>ASG8</b>	540	195	335	281x565x626	700x420x660	22
<b>ASG9</b>	540	260	335	346x565x626	700x420x660	23

The **ORION RD** line maintains the same structural characteristics of the ANDROMEDA but in the **MANUAL** version. It includes **HOVA<sup>®</sup>** hose guide to allow an orderly rewinding of the hose.

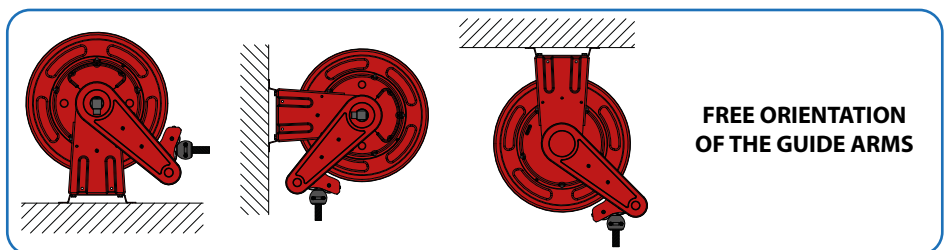


- 3 VERSIONS AVAILABLE**
- Painted steel;
  - Aisi 304;
  - Aisi 316

- LEGEND**
- A **HOVA<sup>®</sup>** hose guide
  - B1 Hose exit side disc/drum assembly
  - B2 Chain side disc/drum assembly
  - C Guide arm cover
  - D1 Swivel side base arm
  - D2 Chain side base arm
  - E Came
  - F Chain drive
  - M Crank



Available also in the version **ORION SG** without **HOVA<sup>®</sup>** hose guide.



WITH HOSE GUIDE

WITHOUT HOSE GUIDE



## 400 SERIES - O1 Ø Disc 434 mm - Spool 130 mm - Drum 250 mm

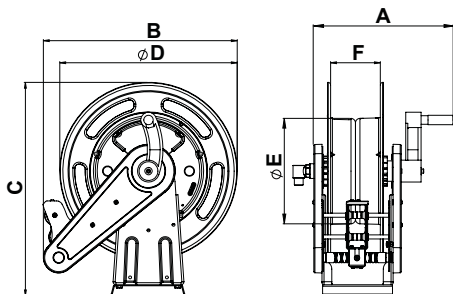
	Art.no. WITH HOSE GUIDE	Art.no. WITHOUT HOSE GUIDE	Max. pressure joint	Connection threads IN - OUT	Max diameter hose	Max length hose (m)	Swivel joint*
PAINTED STEEL	OF42130	OSGF42130	600 bar **	1/2"(M) 1/2"(F)	1/4"	40	9951
					3/8"	25	
					1/2"	18	
PAINTED STEEL	OF42131	OSGF42131	100 bar	1"(M)-3/4"(F)	3/4"	10	9986
					1"	6	
AISI 304 STAINLESS STEEL	OX42130	OSGX42130	200 bar **	1/2"(M) 1/2"(F)	1/4"	40	9963
					3/8"	25	
					1/2"	18	
AISI 304 STAINLESS STEEL	OX42131	OSGX42131	100 bar	1"(M)-3/4"(F)	3/4"	10	9986
					1"	6	

## 400 SERIES - O2 Ø Disc 434 mm - Spool 195 mm - Drum 250 mm

	Art.no. WITH HOSE GUIDE	Art.no. WITHOUT HOSE GUIDE	Max. pressure joint	Connection threads IN - OUT	Max diameter hose	Max length hose (m)	Swivel joint*
PAINTED STEEL	OF42190	OSGF42190	600 bar **	1/2"(M) 1/2"(F)	1/4"	50	9951
					3/8"	40	
					1/2"	30	
PAINTED STEEL	OF42191	OSGF42191	100 bar	1"(M)-3/4"(F)	3/4"	15	9986
					1"	10	
AISI 304 STAINLESS STEEL	OX42190	OSGX42190	200 bar **	1/2"(M) 1/2"(F)	1/4"	50	9963
					3/8"	40	
					1/2"	30	
AISI 304 STAINLESS STEEL	OX42191	OSGX42191	100 bar	1"(M)-3/4"(F)	3/4"	15	9986
					1"	10	

## 400 SERIES - O3 Ø Disc 434 mm - Spool 260 mm - Drum 250 mm

	Art.no. WITH HOSE GUIDE	Art.no. WITHOUT HOSE GUIDE	Max. pressure joint	Connection threads IN - OUT	Max diameter hose	Max length hose (m)	Swivel joint*
PAINTED STEEL	OF42260	OSGF42260	600 bar **	1/2"(M) 1/2"(F)	1/4"	60	9951
					3/8"	50	
					1/2"	40	
PAINTED STEEL	OF42261	OSGF42261	100 bar	1"(M)-3/4"(F)	3/4"	20	9986
					1"	15	
AISI 304 STAINLESS STEEL	OX42260	OSGX42260	600 bar **	1/2"(M) 1/2"(F)	1/4"	60	9963
					3/8"	50	
					1/2"	40	
AISI 304 STAINLESS STEEL	OX42261	OSGX42261	100 bar	1"(M)-3/4"(F)	3/4"	20	9986
					1"	15	



\*) The reels in painted steel are equipped with mineral oil compatible swivel joint gaskets. The hose reels in stainless steel come with water-compatible Viton® swivel joint gaskets. See pages 34-36 for the complete range of swivel joints with gaskets compatible with other liquids.

\*\*\*) When ordering, specify whether or not the application implies the use of low pressure hoses (see page 37 regarding the splitting of the roller).

## DIMENSIONS AND PACKAGING

Art.no.	D (mm)	F (mm)	E (mm)	A-B-C (mm)	Packaging dimensions (mm)	Weight (kg)
O1	434	130	250	393x474x522	600x370x620	15
O2	434	195	250	461x474x523	600x370x620	19
O3	434	260	250	526x474x523	560x490x560	21

WITH HOSE GUIDE

WITHOUT HOSE GUIDE



## 500 SERIES - O4 Ø Disc 540 mm - Spool 130 mm - Drum 250 mm

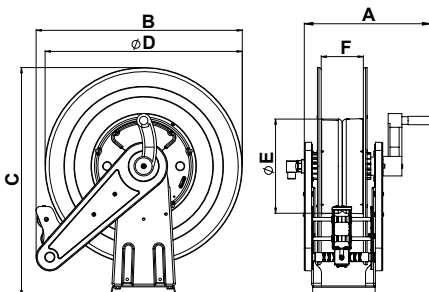
	Art.no. WITH HOSE GUIDE	Art.no. WITHOUT HOSE GUIDE	Max. pressure joint	Connection threads IN - OUT	Max diameter hose	Max length hose (m)	Swivel joint*
PAINTED STEEL	OF52130	OSGF52130	600 bar **	1/2" (M) 1/2" (F)	1/4"	60	9951
					3/8"	50	
					1/2"	40	
PAINTED STEEL	OF52131	OSGF52131	100 bar	1"(M)-3/4"(F)	3/4"	20	9986
					1"	13	
AISI 304 STAINLESS STEEL	OX52130	OSGF52130	200 bar **	1/2" (M) 1/2" (F)	1/4"	60	9963
					3/8"	50	
					1/2"	40	
AISI 304 STAINLESS STEEL	OX52131	OSGF52131	100 bar	1"(M)-3/4"(F)	3/4"	20	9986
					1"	13	

## 500 SERIES - O5 Ø Disc 540 mm - Spool 195 mm - Drum 250 mm

	Art.no. WITH HOSE GUIDE	Art.no. WITHOUT HOSE GUIDE	Max. pressure joint	Connection threads IN - OUT	Max diameter hose	Max length hose (m)	Swivel joint*
PAINTED STEEL	OF52191	OSGF52191	100 bar	1"(M)-3/4"(F)	3/4"	30	9986
					1"	18	
AISI 304 STAINLESS STEEL	OX52191	OSGX52191	100 bar	1"(M)-3/4"(F)	3/4"	30	9986
					1"	18	

## 500 SERIES - O6 Ø Disc 540 mm - Spool 260 mm - Drum 250 mm

	Art.no. WITH HOSE GUIDE	Art.no. WITHOUT HOSE GUIDE	Max. pressure joint	Connection threads IN - OUT	Max diameter hose	Max length hose (m)	Swivel joint*
PAINTED STEEL	OF52261	OSGF52261	100 bar	1"(M)-3/4"(F)	3/4"	40	9986
					1"	30	
AISI 304 STAINLESS STEEL	OX52261	OSGX52261	100 bar	1"(M)-3/4"(F)	3/4"	40	9986
					1"	30	



\*) The reels in painted steel are equipped with mineral oil compatible swivel joint gaskets. The hose reels in stainless steel come with water-compatible Viton® swivel joint gaskets. See pages 34-36 for the complete range of swivel joints with gaskets compatible with other liquids.

\*\* ) When ordering, specify whether or not the application implies the use of low pressure hoses (see page 37 regarding the splitting of the roller).

## DIMENSIONS AND PACKAGING

Art.no.	D (mm)	F (mm)	E (mm)	A-B-C (mm)	Packaging dimensions (mm)	Weight (kg)
O4	540	130	250	396x565x625	700x370x700	20
O5	540	195	250	461x565x626	700x420x660	22
O6	540	260	250	526x565x626	700x420x660	23



The **ORION HEAVY DUTY** line was created to satisfy the need of rewinding long hoses with diameters up to 1" while using manual-driven reels equipped with **HOVA<sup>®</sup>** hose guide.

To do this it integrates a **3:1 effort reduction** mechanism which, facilitated by a raised position, makes it easier for the operator to rewind the hose.



**OPTIONAL**

Also available on wheels to allow easy movement of the hose reel

- Wheels (F)
- Handles (G)
- Horizontal handle (H)

**3 VERSIONS AVAILABLE**

- Painted steel;
- Aisi 304;
- Aisi 316

**LEGEND**

**A** HOVA<sup>®</sup> hose guide

**B1** Hose exit side disc/drum assembly

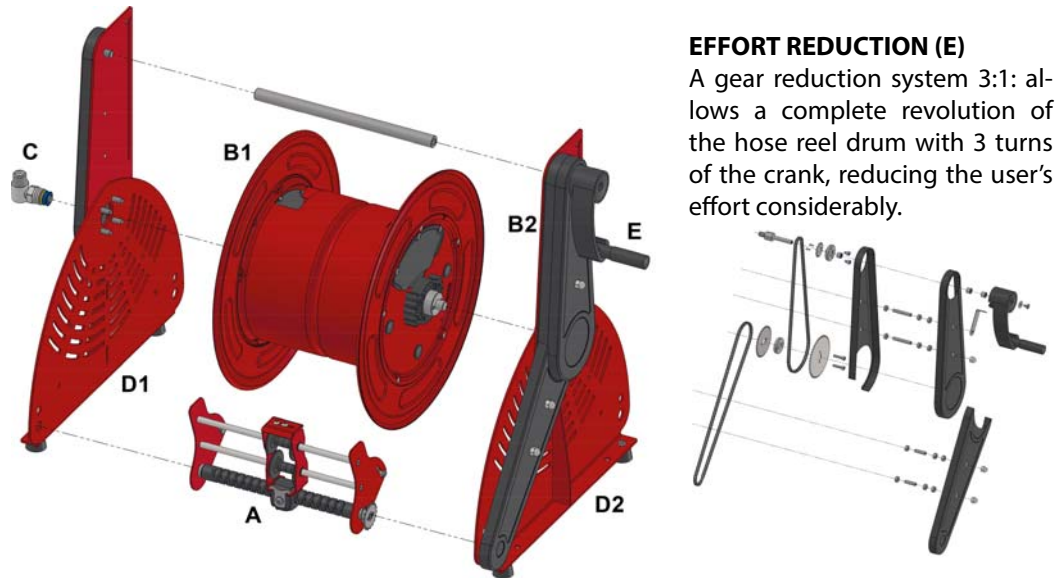
**B2** Chain drive side disc/drum assembly

**C** Swivel Joint

**D1** Swivel joint side base arm

**D2** Chain drive side base arm

**E** Crank and effort reduction mechanism

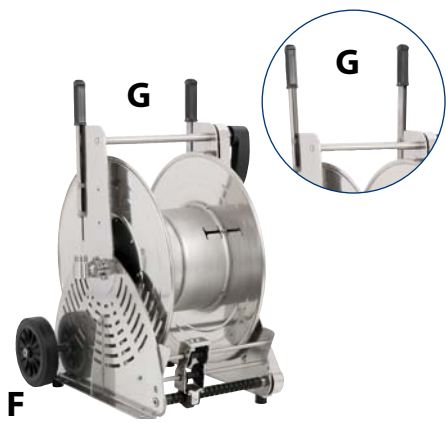


**EFFORT REDUCTION (E)**

A gear reduction system 3:1: allows a complete revolution of the hose reel drum with 3 turns of the crank, reducing the user's effort considerably.

**OPTIONAL**

**WHEELED VERSION COMPLETE WITH WHEELS (F) AND HANDLES (G)** (See page 19)



**OPTIONAL**

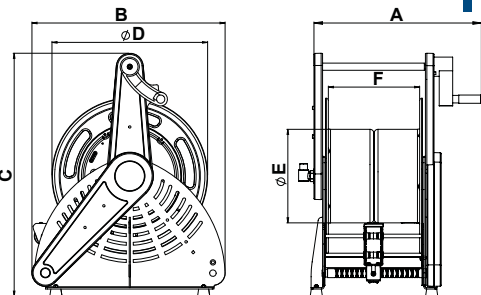
**WHEELED VERSION COMPLETE WITH WHEELS (F) AND HORIZONTAL HANDLE (H)**

To order this model add IR to the reel's code (e.g. OPF52190IR) see tables on page 18.



WITH HOSE GUIDE

WITHOUT HOSE GUIDE



## HD SERIES - OP1 Ø Disc 434 mm - Spool 260 mm - Drum 250 mm

	Art.no. WITH HOSE GUIDE	Art.no. WITHOUT HOSE GUIDE	Max. pressure joint	Connection threads IN - OUT	Max diameter hose	Max length hose (m)	Swivel joint*
PAINTED STEEL	OPF42260	OPSGF42260	600 bar **	1/2"(M)-1/2"(F)	1/4"	60	9951
					3/8"	50	
					1/2"	40	
PAINTED STEEL	OPF42261	OPSGF42261	100 bar	1"(M)-3/4"(F)	3/4"	20	9986
					1"	15	
AISI 304 STAINLESS STEEL	OPX42260	OPSGX42260	200 bar **	1/2"(M)-1/2"(F)	1/4"	60	9963
					3/8"	50	
					1/2"	40	
AISI 304 STAINLESS STEEL	OPX42261	OPSGX42261	100 bar	1"(M)-3/4"(F)	3/4"	20	9986
					1"	15	

## HD SERIES - OP2 Ø Disc 540 mm - Spool 195 mm - Drum 250 mm

	Art.no. WITH HOSE GUIDE	Art.no. WITHOUT HOSE GUIDE	Max. pressure joint	Connection threads IN - OUT	Max diameter hose	Max length hose (m)	Swivel joint*
PAINTED STEEL	OPF52190	OPSGF52190	600 bar **	1/2"(M)-1/2"(F)	1/4"	130	9951
					3/8"	85	
					1/2"	65	
PAINTED STEEL	OPF52191	OPSGF52191	100 bar	1"(M)-3/4"(F)	3/4"	30	9986
					1"	18	
AISI 304 STAINLESS STEEL	OPX52190	OPSGX52190	200 bar **	1/2"(M)-1/2"(F)	1/4"	130	9963
					3/8"	85	
					1/2"	65	
AISI 304 STAINLESS STEEL	OPX52191	OPSGX52191	100 bar	1"(M)-3/4"(F)	3/4"	30	9986
					1"	18	

## HD SERIES - OP3 Ø Disc 540 mm - Spool 260 mm - Drum 250 mm

	Art.no. WITH HOSE GUIDE	Art.no. WITHOUT HOSE GUIDE	Max. pressure joint	Connection threads IN - OUT	Max diameter hose	Max length hose (m)	Swivel joint*
PAINTED STEEL	OPF52260	OPSGF52260	600 bar **	1/2"(M)-1/2"(F)	1/4"	180	9951
					3/8"	115	
					1/2"	90	
PAINTED STEEL	OPF52261	OPSGF52261	100 bar	1"(M)-3/4"(F)	3/4"	40	9986
					1"	30	
AISI 304 STAINLESS STEEL	OPX52260	OPSGX52260	200 bar **	1/2"(M)-1/2"(F)	1/4"	180	9963
					3/8"	115	
					1/2"	90	
AISI 304 STAINLESS STEEL	OPX52261	OPSGX52261	100 bar	1"(M)-3/4"(F)	3/4"	40	9986
					1"	30	

\*) The reels in painted steel are equipped with mineral oil compatible swivel joint gaskets. The hose reels in stainless steel come with water-compatible Viton® swivel joint gaskets. See pages 34-36 for the complete range of swivel joints with gaskets compatible with other liquids.

\*\*) When ordering, specify whether or not the application implies the use of low pressure hoses (see page 37 regarding the splitting of the roller).

## DIMENSIONS AND PACKAGING

Art.no.	D (mm)	F (mm)	E (mm)	A-B-C (mm)	Packaging dimensions (mm)	Weight (kg)
<b>OP1</b>	434	260	250	529x540x677	600x500x700	26
<b>OP2</b>	540	195	250	461x542x677	600x500x701	24
<b>OP3</b>	540	260	250	526x542x677	600x500x700	26

WITH HOSE GUIDE



**ORION HEAVY DUTY**  
with hose guide

**WHEELED VERSION COMPOSED OF:**

- Nr. 2 wheels Ø 200 mm
- Nr. 2 adjustable handles.

To order this model  
add MR to the reel's code  
(e.g. OPF52190MR).  
(See tables on page 18)

WITHOUT HOSE GUIDE



**ORION HEAVY DUTY**  
without hose guide

## ORION EASY

## MANUAL HOSE REELS

WITHOUT HOSE GUIDE



**ORION EASY** wheeled hose reel with reduced effort system with **3:1 rapport** and reel rotation lock mechanism. The EASY model comes with wheels.

**EASY 400 SERIES - OE1** Ø Disc 434 mm - Spool 400 mm - Drum 260 mm

	Art.no. WITHOUT HOSE GUIDE	Max. pressure joint	Connection threads IN - OUT	Max diameter hose	Max length hose (m)	Swivel joint*
PAINTED STEEL	OEF42400	600 bar **	1/2"(M)-1/2"(F)	1/4"	150	9951
				3/8"	100	
	OEF42401	100 bar	1"(M)-3/4"(F)	3/4"	42	9986
			1"	25		
AISI 304 STAINLESS STEEL	OEX42400	200 bar **	1/2"(M)-1/2"(F)	1/4"	150	9963
				3/8"	100	
	OEX42401	100 bar	1"(M)-3/4"(F)	3/4"	42	9986
			1"	25		

**EASY 500 SERIES - OE2** Ø Disc 540 mm - Spool 400 mm - Drum 335 mm

	Art.no. WITHOUT HOSE GUIDE	Max. pressure joint	Connection threads IN - OUT	Max diameter hose	Max length hose (m)	Swivel joint*
PAINTED STEEL	OEF53400	600 bar **	1/2"(M)-1/2"(F)	1/4"	230	9951
				3/8"	160	
	OEF53401	100 bar	1"(M)-3/4"(F)	3/4"	60	9986
			1"	35		
AISI 304 STAINLESS STEEL	OEX53400	200 bar **	1/2"(M)-1/2"(F)	1/4"	230	9963
				3/8"	160	
	OEX53401	100 bar	1"(M)-3/4"(F)	3/4"	60	9986
			1"	35		

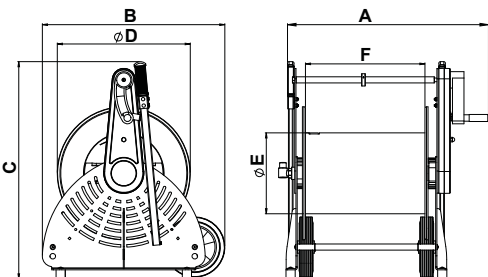


\*) The reels in painted steel are equipped with mineral oil compatible swivel joint gaskets. The hose reels in stainless steel come with water-compatible Viton® swivel joint gaskets. See pages 34-36 for the complete range of swivel joints with gaskets compatible with other liquids.

\*\*\*) When ordering, specify whether or not the application implies the use of low pressure hoses (see page 37 regarding the splitting of the roller).

### DIMENSIONS AND PACKAGING

Art.no.	D (mm)	F (mm)	E (mm)	A-B-C (mm)	Packaging dimensions (mm)	Weight (kg)
<b>OE1</b>	434	400	250	665x542x523	600x500x700	24
<b>OE2</b>	540	400	250	665x542x677	600x500x700	25

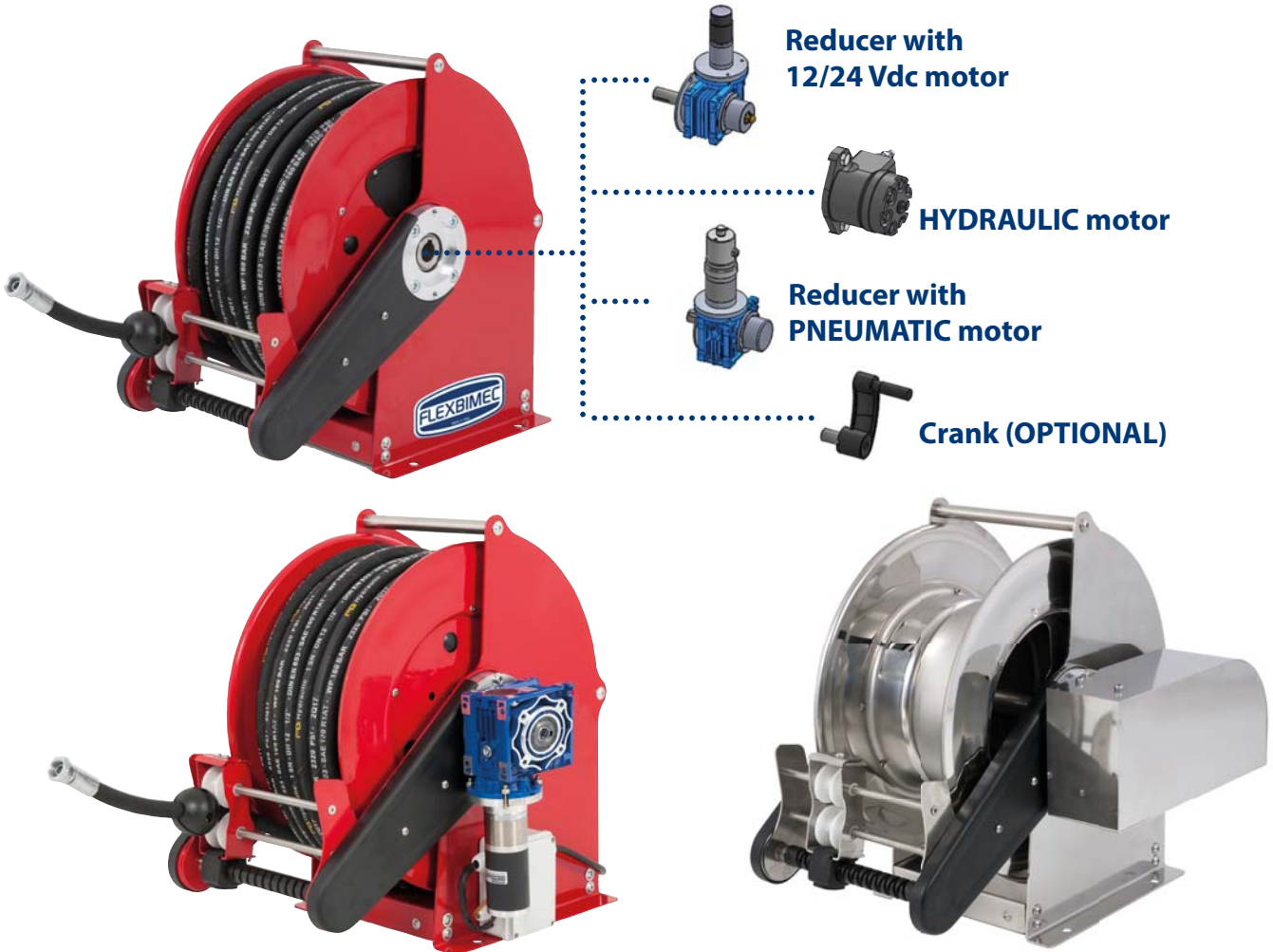


The **SIRIO motorized** hose reel is compact and can work with different motors, which can operate with a speed variator (24V/12V models). If needed, a 230V /24V power supply can be supplied separately (optional). (Art.no. 6532 (24V) / 6532/12 (12V)).

In heavy duty application where more power is need in order to rewind the hose, SIRIO can be supplied with an hydraulic motor (see page 21) which can be powered by a 12/24 or 230 V control unit.

NOTE: in this version the rewinding occurs via the use of the hydraulic motor, meanwhile the unwinding of the hose must be done manually.

**OPTIONAL:** crank to allow manual winding of the hose.



**BUTTON PANEL**



Art.no. 25103

**OPTIONAL CONTROLS**  
**REMOTE CONTROL**



Art.no. 25101

**POWER SUPPLY/CONVERTER**  
**230V – 12/24 Vdc**



Art.no. 6532/12 (12V)  
Art.no. 6532 (24V)

**SIMPLIFIED CONTROL PANEL**



Art.no. 25107/12 (12V)  
Art.no. 25107/24 (24V)

**CONTROL PANEL WITH SPEED REGULATOR**



Art.no. 25108/12 (12V)  
Art.no. 25108/24 (24V)

**COMPLETE CONTROL PANEL AS STANDARD**



Art.no. 25104 (230V)  
Art.no. 25105 (12V)  
Art.no. 25106 (24V)

WITH HOSE GUIDE

**NOVA<sup>®</sup>** HOSE GUIDE KIT

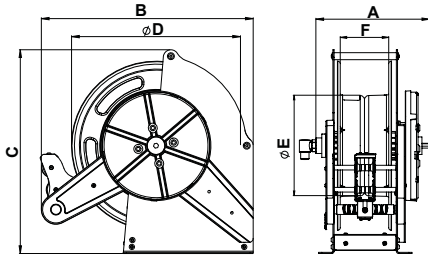
**SIRIO COMPACT** hose reel with chain drive and with 12/24 VDC motor.

**VERSION WITH REDUCED DIMENSIONS**



**COMPACT VERSION**

12/24V Motor



**400 SERIES - SC1** Ø Disc 434 mm - Spool 130 mm - Drum 250 mm

	Art.no. 12 Vdc	Art.no. 24 Vdc	Max. pressure joint	Connection threads IN - OUT	Max diameter hose	Max length hose (m)	Swivel joint*
<b>PAINTED STEEL</b>	SCF1242130	SCF2442130	600 bar **	1/2"(M) 1/2"(F)	1/4"	40	9951
					3/8"	25	
					1/2"	18	
	SCF1242131	SCF2442131	100 bar	1"(M)-3/4"(F)	3/4"	12	9986
				1"	8		
<b>AISI 304 STAINLESS STEEL</b>	SCX1242130	SCX2442130	200 bar **	1/2"(M) 1/2"(F)	1/4"	40	9963
					3/8"	25	
					1/2"	18	
	SCX1242131	SCX2442131	100 bar	1"(M)-3/4"(F)	3/4"	12	9986
				1"	8		

\*) The reels in painted steel are equipped with mineral oil compatible swivel joint gaskets. The hose reels in stainless steel come with water-compatible Viton<sup>®</sup> swivel joint gaskets. See pages 34-36 for the complete range of swivel joints with gaskets compatible with other liquids.

\*\*\*) When ordering, specify whether or not the application implies the use of low pressure hoses (see page 37 regarding the splitting of the roller).

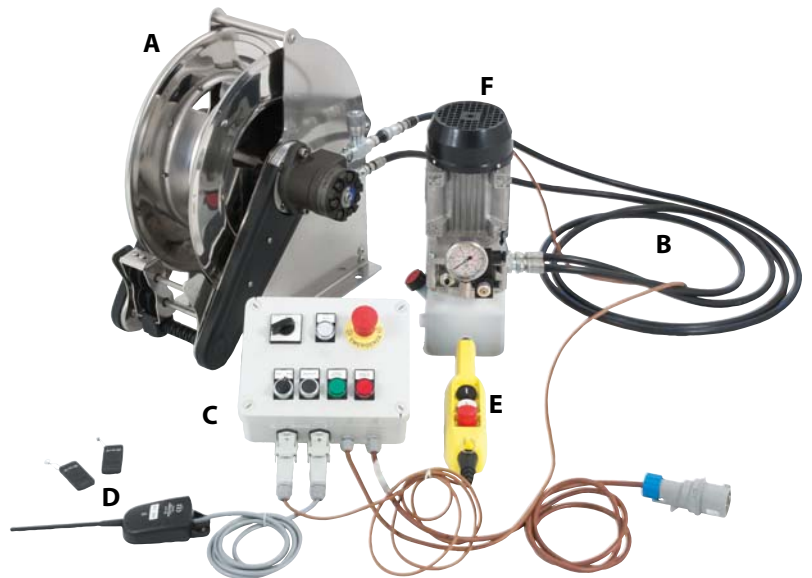
**DIMENSIONS AND PACKAGING**

Art.no.	D (mm)	F (mm)	E (mm)	A-B-C (mm)	Packaging dimensions (mm)	Weight (kg)
<b>SC1</b>	434	130	250	335x544x524	670x800x900	26

## SIRIO ID

## HYDRAULIC MOTOR DRIVEN HOSE REEL

In the **SIRIO ID** version the hydraulic control unit (available with 24 or 230 V power supply) is supplied separately and its housing must be managed by the end user.



**EXAMPLE OF COMPLETE HYDRAULIC KIT**

- A SIRIO ID hydraulic hose reel
- B Hydraulic pipes (optional)
- C Complete control panel (optional)
- D Remote control (optional)
- E Button panel (optional)
- F Electro-hydraulic control unit (optional)

**F1** – Control unit 12/24V  
**Art.no. 22024 (24V)**  
**Art.no. 22012 (12V)**

**F2** – Control unit 230V  
**Art.no. 22023**

**STANDARD VERSION**

**400 SERIES - S1** Ø Disc 434 mm - Spool 130 mm - Drum 250 mm

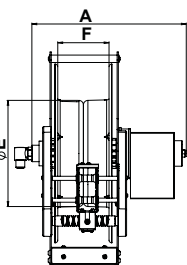
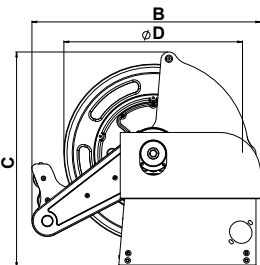
	Art.no. 12 V	Art.no. 24 V	Art.no. ID HYDRAULIC	Art.no. PNEUMATIC	Max. pressure joint	Connection threads IN - OUT	Max diameter hose	Max length hose (m)	Swivel joint*
<b>PAINTED STEEL</b>	SF1242130	SF2442130	SFID42130	SFPN42130	600 bar **	1/2"(M) 1/2"(F)	1/4"	40	9951
							3/8"	25	
							1/2"	18	
SF1242131	SF2442131	SFID42131	SFPN42131	100 bar	1"(M)-3/4"(F)	3/4"	12	9986	
						1"	8		
<b>AISI 304 STAINLESS STEEL</b>	SX1242130	SX2442130	SXID42130	SXPN42130	200 bar **	1/2"(M) 1/2"(F)	1/4"	40	9963
							3/8"	25	
							1/2"	18	
SX1242131	SX2442131	SXID42131	SXPN42131	100 bar	1"(M)-3/4"(F)	3/4"	12	9986	
						1"	15		

**400 SERIES - S2** Ø Disc 434 mm - Spool 195 mm - Drum 250 mm

	Art.no. 12 V	Art.no. 24 V	Art.no. ID HYDRAULIC	Art.no. PNEUMATIC	Max. pressure joint	Connection threads IN - OUT	Max diameter hose	Max length hose (m)	Swivel joint*
<b>PAINTED STEEL</b>	SF1242190	SF2442190	SFID42190	SFPN42190	600 bar **	1/2"(M) 1/2"(F)	1/4"	50	9951
							3/8"	40	
							1/2"	30	
SF1242191	SF2442191	SFID42191	SFPN42191	100 bar	1"(M)-3/4"(F)	3/4"	18	9986	
						1"	12		
<b>AISI 304 STAINLESS STEEL</b>	SX1242190	SX2442190	SXID42190	SXPN42190	200 bar **	1/2"(M) 1/2"(F)	1/4"	60	9963
							3/8"	40	
							1/2"	30	
SX1242191	SX2442191	SXID42191	SXPN42191	100 bar	1"(M)-3/4"(F)	3/4"	18	9986	
						1"	12		

**400 SERIES - S3** Ø Disc 434 mm - Spool 260 mm - Drum 250 mm

	Art.no. 12 V	Art.no. 24 V	Art.no. ID HYDRAULIC	Art.no. PNEUMATIC	Max. pressure joint	Connection threads IN - OUT	Max diameter hose	Max length hose (m)	Swivel joint*
<b>PAINTED STEEL</b>	SF1242260	SF2442260	SFID42260	SFPN42260	600 bar **	1/2"(M) 1/2"(F)	1/4"	60	9951
							3/8"	50	
							1/2"	40	
SF1242261	SF2442261	SFID42261	SFPN42261	100 bar	1"(M)-3/4"(F)	3/4"	20	9986	
						1"	15		
<b>AISI 304 STAINLESS STEEL</b>	SX1242260	SX2442260	SXID42260	SXPN42260	200 bar **	1/2"(M) 1/2"(F)	1/4"	60	9963
							3/8"	50	
							1/2"	40	
SX1242261	SX2442261	SXID42261	SXPN42261	100 bar	1"(M)-3/4"(F)	3/4"	20	9986	
						1"	15		



\*) The reels in painted steel are equipped with mineral oil compatible swivel joint gaskets. The hose reels in stainless steel come with water-compatible Viton® swivel joint gaskets. See pages 34-36 for the complete range of swivel joints with gaskets compatible with other liquids.

\*\* ) When ordering, specify whether or not the application implies the use of low pressure hoses (see page 37 regarding the splitting of the roller).

**DIMENSIONS AND PACKAGING**

Art.no.	D (mm)	F (mm)	E (mm)	A-B-C (mm)	Packaging dimensions (mm)	Weight (kg)
<b>S1</b>	434	130	250	358x544x538	670x800x900	23
<b>S2</b>	434	195	250	426x544x538	670x800x900	26
<b>S3</b>	434	260	250	491x544x538	670x800x900	28

WITH HOSE GUIDE

**NOVA<sup>®</sup>** HOSE GUIDE KIT



## 500 SERIES - S4 Ø Disc 540 mm - Spool 130 mm - Drum 250 mm

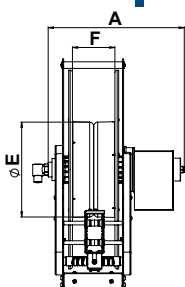
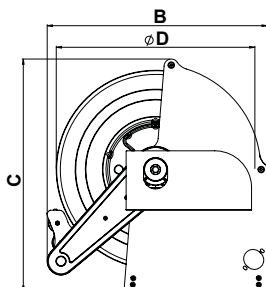
	Art.no. 12 V	Art.no. 24 V	Art.no. ID HYDRAULIC	Art.no. PNEUMATIC	Max. pressure joint	Connection threads IN - OUT	Max diameter hose	Max length hose (m)	Swivel joint*
<b>PAINTED STEEL</b>	SF1252130	SF2452130	SFID52130	SFPN52130	600 bar **	1/2"(M) 1/2"(F)	1/4"	80	9951
							3/8"	60	
							1/2"	45	
	SF1252131	SF2452131	SFID52131	SFPN52131	100 bar	1"(M)-3/4"(F)	3/4"	22	9986
							1"	12	
<b>AISI 304 STAINLESS STEEL</b>	SX1252130	SX2452130	SXID52130	SXPN52130	200 bar **	1/2"(M) 1/2"(F)	1/4"	80	9963
							3/8"	60	
							1/2"	45	
	SX1252131	SX2452131	SXID52131	SXPN52131	100 bar	1"(M)-3/4"(F)	3/4"	22	9986
							1"	12	

## 500 SERIES - S5 Ø Disc 540 mm - Spool 195 mm - Drum 250 mm

	Art.no. 12 V	Art.no. 24 V	Art.no. ID HYDRAULIC	Art.no. PNEUMATIC	Max. pressure joint	Connection threads IN - OUT	Max diameter hose	Max length hose (m)	Swivel joint*
<b>PAINTED STEEL</b>	SF1252190	SF2452190	SFID52190	SFPN52190	600 bar **	1/2"(M) 1/2"(F)	1/4"	120	9951
							3/8"	90	
							1/2"	70	
	SF1252191	SF2452191	SFID52191	SFPN52191	100 bar	1"(M)-3/4"(F)	3/4"	35	9986
							1"	18	
<b>AISI 304 STAINLESS STEEL</b>	SX1252190	SX2452190	SXID52190	SXPN52190	200 bar **	1/2"(M) 1/2"(F)	1/4"	120	9963
							3/8"	90	
							1/2"	70	
	SX1252191	SX2452191	SXID52191	SXPN52191	100 bar	1"(M)-3/4"(F)	3/4"	35	9986
							1"	18	

## ELECTRIC MOTOR for SIRIO and SIRIO V

Motor	Voltage	Absorption	Power output	Rpm
<b>MS12V</b>	12V	4,5A	55W	4500
<b>MS24V</b>	24V	3,75A	90W	3000
<b>MSB24V BRUSHLESS</b>	24V/48V	8A/4A	125W	1500/3000



\*) The reels in painted steel are equipped with mineral oil compatible swivel joint gaskets. The hose reels in stainless steel come with water-compatible Viton<sup>®</sup> swivel joint gaskets. See pages 34-36 for the complete range of swivel joints with gaskets compatible with other liquids.

\*\*\*) When ordering, specify whether or not the application implies the use of low pressure hoses (see page 37 regarding the splitting of the roller).

## DIMENSIONS AND PACKAGING

Art.no.	D (mm)	F (mm)	E (mm)	A-B-C (mm)	Packaging dimensions (mm)	Weight (kg)
<b>S4</b>	540	130	250	358x594x632	670x800x900	26
<b>S5</b>	540	195	250	426x598x632	670x800x900	28

WITH HOSE GUIDE

**HOVA<sup>TM</sup>** HOSE GUIDE KIT

The innovative **SIRIO V** model is equipped with a smartphone/tablet-controlled **Brushless** motor (via Wi-Fi connection) which permit the customization of parameters such as speed, acceleration and/or rewind power. SIRIO V comes with a 24/48V power supply but it can be also provided with 230V current transformer (code 6532).

## 400 SERIES - SV1 Ø Disc 434 mm - Spool 130 mm - Drum 250 mm

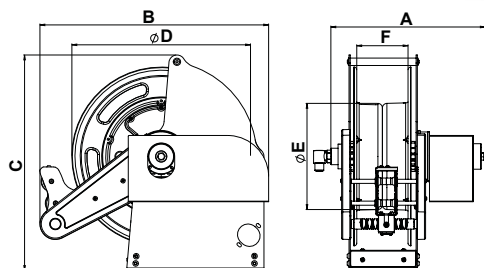
	Art.no. 24 V	Art.no. 230 V	Max. pressure joint	Connection threads IN - OUT	Max diameter hose	Max length hose (m)	Swivel joint*
<b>PAINTED STEEL</b>	SVF2442130	SVF2342130	600 bar **	M 1/2" F 1/2"	1/4"	40	9951
					3/8"	25	
					1/2"	18	
SVF2442131	SVF2342131	100 bar	1"(M)-3/4"(F)	3/4"	12	9986	
				1"	8		
<b>AISI 304 STAINLESS STEEL</b>	SVX2442130	SVX2342130	200 bar **	M 1/2" F 1/2"	1/4"	40	9963
					3/8"	25	
					1/2"	18	
SVX2442131	SVX2342131	100 bar	1"(M)-3/4"(F)	3/4"	12	9986	
				1"	15		

## 400 SERIES - SV2 Ø Disc 434 mm - Spool 195 mm - Drum 250 mm

	Art.no. 24 V	Art.no. 230 V	Max. pressure joint	Connection threads IN - OUT	Max diameter hose	Max length hose (m)	Swivel joint*
<b>PAINTED STEEL</b>	SVF2442190	SVF2342190	600 bar **	M 1/2" F 1/2"	1/4"	50	9951
					3/8"	40	
					1/2"	30	
SVF2442191	SVF2342191	100 bar	1"(M)-3/4"(F)	3/4"	18	9986	
				1"	12		
<b>AISI 304 STAINLESS STEEL</b>	SVX2442190	SVX2342190	200 bar **	M 1/2" F 1/2"	1/4"	60	9963
					3/8"	40	
					1/2"	30	
SVX2442191	SVX2342191	100 bar	1"(M)-3/4"(F)	3/4"	18	9986	
				1"	12		

## 400 SERIES - SV3 Ø Disc 434 mm - Spool 260 mm - Drum 250 mm

	Art.no. 24 V	Art.no. 230 V	Max. pressure joint	Connection threads IN - OUT	Max diameter hose	Max length hose (m)	Swivel joint*
<b>PAINTED STEEL</b>	SVF2442260	SVF2342260	600 bar **	M 1/2" F 1/2"	1/4"	60	9951
					3/8"	50	
					1/2"	40	
SVF2442261	SVF2342261	100 bar	1"(M)-3/4"(F)	3/4"	20	9986	
				1"	15		
<b>AISI 304 STAINLESS STEEL</b>	SVX2442260	SVX2342260	200 bar **	M 1/2" F 1/2"	1/4"	60	9963
					3/8"	50	
					1/2"	40	
SVX2442261	SVX2342261	100 bar	1"(M)-3/4"(F)	3/4"	20	9986	
				1"	15		



\*) The reels in painted steel are equipped with mineral oil compatible swivel joint gaskets. The hose reels in stainless steel come with water-compatible Viton® swivel joint gaskets. See pages 34-36 for the complete range of swivel joints with gaskets compatible with other liquids.

\*\* ) When ordering, specify whether or not the application implies the use of low pressure hoses (see page 37 regarding the splitting of the roller).

## DIMENSIONS AND PACKAGING

Art.no.	D (mm)	F (mm)	E (mm)	A-B-C (mm)	Packaging dimensions (mm)	Weight (kg)
<b>SV1</b>	434	130	250	358x544x538	670x800x900	23
<b>SV2</b>	434	195	250	426x544x538	670x800x900	26
<b>SV3</b>	434	260	250	491x544x538	670x800x900	28

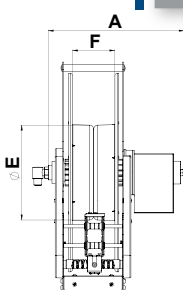
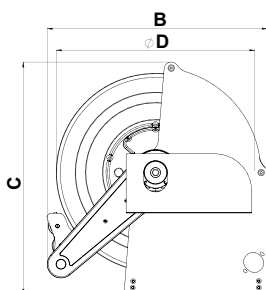


WITH HOSE GUIDE

NOVA<sup>®</sup> HOSE GUIDE KIT

### Command interface

- Accessible by connecting to the motor's Wi-fi signal.
- The reel's function can be managed through any connected smartphone or tablet.
- It allows for the variation of the parameters of speed, acceleration, and power of the engine.
- Locks the hose in place.
- The "N" key deactivates the motor for free unwinding of the hose.
- Does not require a control panel.



## 500 SERIES - SV4 Ø Disc 540 mm - Spool 130 mm - Drum 250 mm

	Art.no. 24 V	Art.no. 230 V	Max. pressure joint	Connection threads IN - OUT	Max diameter hose	Max length hose (m)	Swivel joint*
PAINTED STEEL	SVF2452130	SVF2352130	600 bar **	M 1/2" F 1/2"	1/4"	80	9951
					3/8"	60	
					1/2"	45	
	SVF2452131	SVF2352131	100 bar	1"(M)-3/4"(F)	3/4"	22	9986
1"	12						
AISI 304 STAINLESS STEEL	SVX2452130	SVX2352130	200 bar **	M 1/2" F 1/2"	1/4"	80	9963
					3/8"	60	
					1/2"	45	
	SVX2452131	SVX2352131	100 bar	1"(M)-3/4"(F)	3/4"	22	9986
1"	12						

## 500 SERIES - SV5 Ø Disc 540 mm - Spool 195 mm - Drum 250 mm

	Art.no. 24 V	Art.no. 230 V	Max. pressure joint	Connection threads IN - OUT	Max diameter hose	Max length hose (m)	Swivel joint*
PAINTED STEEL	SVF2452190	SVF2352190	600 bar **	M 1/2" F 1/2"	1/4"	120	9951
					3/8"	90	
					1/2"	70	
	SVF2452191	SVF2352191	100 bar	1"(M)-3/4"(F)	3/4"	35	9986
1"	18						
AISI 304 STAINLESS STEEL	SVX2452190	SVX2352190	200 bar **	M 1/2" F 1/2"	1/4"	120	9963
					3/8"	90	
					1/2"	70	
	SVX2452191	SVX2352191	100 bar	1"(M)-3/4"(F)	3/4"	35	9986
1"	18						

## 500 SERIES - SV6 Ø Disc 540 mm - Spool 260 mm - Drum 250 mm

	Art.no. 24 V	Art.no. 230 V	Max. pressure joint	Connection threads IN - OUT	Max diameter hose	Max length hose (m)	Swivel joint*
PAINTED STEEL	SVF2452260	SVF2352260	600 bar **	M 1/2" F 1/2"	1/4"	180	9951
					3/8"	115	
					1/2"	90	
	SVF2452261	SVF2352261	100 bar	1"(M)-3/4"(F)	3/4"	40	9986
1"	25						
AISI 304 STAINLESS STEEL	SVX2452260	SVX2352260	200 bar **	M 1/2" F 1/2"	1/4"	180	9963
					3/8"	115	
					1/2"	90	
	SVX2452261	SVX2352261	100 bar	1"(M)-3/4"(F)	3/4"	40	9986
1"	25						

\*) The reels in painted steel are equipped with mineral oil compatible swivel joint gaskets. The hose reels in stainless steel come with water-compatible Viton® swivel joint gaskets. See pages 34-36 for the complete range of swivel joints with gaskets compatible with other liquids.

\*\*\*) When ordering, specify whether or not the application implies the use of low pressure hoses (see page 37 regarding the splitting of the roller).

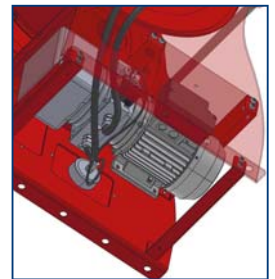
### DIMENSIONS AND PACKAGING

Art.no.	D (mm)	F (mm)	E (mm)	A-B-C (mm)	Packaging dimensions (mm)	Weight (kg)
SV4	540	130	250	358x594x632	670x800x900	26
SV5	540	195	250	426x598x632	670x800x900	28
SV6	540	260	250	491x598x632	670x800x900	32

The **GEMINI** model features the use of the hydraulic motor complete with a hydraulic control unit with 12/24 Vdc or 230V power supply housed in the base of the hose reel which allows it to keep to a minimum the overall dimensions. The hydraulic power of the motor ensures the guided rewinding of long length hoses and with bigger diameters. It is equipped as standard with **NOVA**® hose guide.

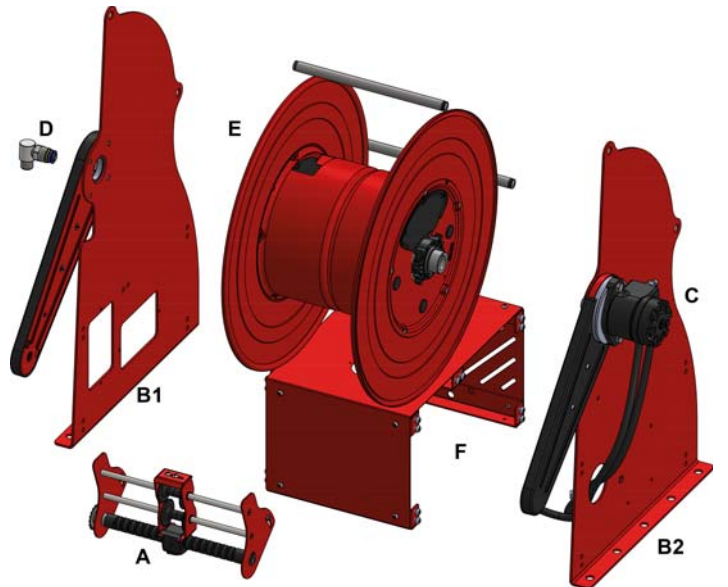
**NOTE:** in this version the rewinding occurs via the use of the hydraulic motor, meanwhile the unwinding of the hose must be done manually.

It can be controlled from a button panel, from a remote control or directly from the complete control panel (see bottom of page)



- 3 VERSIONS AVAILABLE**
- Painted steel;
  - Aisi 304;
  - Aisi 316

- LEGEND**
- A **NOVA**® hose guide
  - B1 Swivel joint side base arm
  - B2 Hydraulic motor side base arm
  - C Hydraulic motor
  - D Swivel Joint
  - E Hose exit side disc/drum assembly
  - F Compartment for electro-hydraulic motor



**HEAVY DUTY**

Thanks to the use of the hydraulic motor (C) the GEMINI is capable of easily rewinding hoses of great lengths and dimensions.

**BUTTON PANEL OPTIONAL**

**REMOTE CONTROL OPTIONAL**

**COMPLETE CONTROL PANEL AS STANDARD**



Art.no. 25103



Art.no. 25101



Art.no. 25104 (230V)  
Art.no. 25105 (12V)  
Art.no. 25106 (24V)



## 500 SERIES - G1 Ø Disc 540 mm - Spool 195 mm - Drum 250 mm

	Art.no. 12 V	Art.no. 24 V	Art.no. 230 V	Art.no. WITHOUT POWER SUPPLY	Max. pressure joint	Connection threads IN - OUT	Max diameter hose	Max length hose (m)	Swivel joint*
<b>PAINTED STEEL</b>	GF1252190	GF2452190	GF2352190	GFSGA52190	600 bar	1/2"(M) 1/2"(F)	1/4"	130	9951
							3/8"	85	
							1/2"	65	
<b>PAINTED STEEL</b>	GF1252191	GF2452191	GF2352191	GFSGA52191	100 bar	1"(M)- 3/4"(F)	3/4"	30	9986
							1"	18	
							<b>AISI 304 STAINLESS STEEL</b>		
<b>AISI 304 STAINLESS STEEL</b>	GX1252190	GX2452190	GX2352190	GXSGA52190	200 bar	1/2"(M) 1/2"(F)	1/4"	130	9963
							3/8"	85	
							1/2"	65	
<b>AISI 304 STAINLESS STEEL</b>	GX1252191	GX2452191	GX2352191	GXSGA52191	100 bar	1"(M)- 3/4"(F)	3/4"	30	9986
							1"	18	

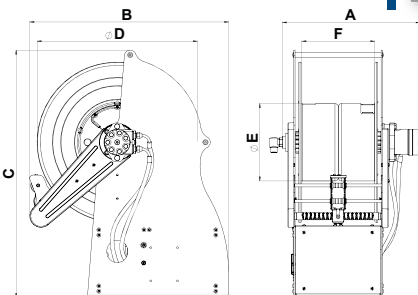


## 500 SERIES - G2 Ø Disc 540 mm - Spool 260 mm - Drum 250 mm

	Art.no. 12 V	Art.no. 24 V	Art.no. 230 V	Art.no. WITHOUT POWER SUPPLY	Max. pressure joint	Connection threads IN - OUT	Max diameter hose	Max length hose (m)	Swivel joint*
<b>PAINTED STEEL</b>	GF1252260	GF2452260	GF2352260	GFSGA52260	600 bar **	1/2"(M) 1/2"(F)	1/4"	180	9951
							3/8"	115	
							1/2"	90	
<b>PAINTED STEEL</b>	GF1252261	GF2452261	GF2352261	GFSGA52261	100 bar	1"(M)- 3/4"(F)	3/4"	40	9986
							1"	25	
							<b>AISI 304 STAINLESS STEEL</b>		
<b>AISI 304 STAINLESS STEEL</b>	GX1252260	GX2452260	GX2352260	GXSGA52260	200 bar **	1/2"(M) 1/2"(F)	1/4"	180	9963
							3/8"	115	
							1/2"	90	
<b>AISI 304 STAINLESS STEEL</b>	GX1252261	GX2452261	GX2352261	GXSGA52261	100 bar	1"(M)- 3/4"(F)	3/4"	40	9986
							1"	25	

## 600 SERIES - G3 Ø Disc 600 mm - Spool 260 mm - Drum 335 mm

	Art.no. 12 V	Art.no. 24 V	Art.no. 230 V	Art.no. WITHOUT POWER SUPPLY	Max. pressure joint	Connection threads IN - OUT	Max diameter hose	Max length hose (m)	Swivel joint*	
<b>PAINTED STEEL</b>	GF1263260	GF2463260	GF2363260	GFSGA63260	600 bar **	1/2"(M) 1/2"(F)	1/4"	200	9951	
							3/8"	150		
							1/2"	110		
	<b>PAINTED STEEL</b>	GF1263261	GF2463261	GF2363261	GFSGA63261	100 bar	1"(M)- 3/4"(F)	3/4"	55	9986
1"								32		
<b>PAINTED STEEL</b>	GF1263262	GF2463262	GF2363262	GFSGA63262	20 bar	1 1/4"(M)- 1 1/4"(M)	1 1/4"	22	9982	
							GF1263263	GF2463263		GF2363263
<b>AISI 304 STAINLESS STEEL</b>	GX1263260	GX2463260	GX2363260	GXSGA63260	200 bar **	1/2"(M) 1/2"(F)	1/4"	200	9963	
							3/8"	150		
							1/2"	110		
	<b>AISI 304 STAINLESS STEEL</b>	GX1263261	GX2463261	GX2363261	GXSGA63261	100 bar	1"(M)- 3/4"(F)	3/4"	55	9986
								1"	32	
<b>AISI 304 STAINLESS STEEL</b>	GX1263262	GX2463262	GX2363262	GXSGA63262	20 bar	1 1/4"(M)- 1 1/4"(M)	1 1/4"	22	9982	
							GX1263263	GX2463263		GX2363263



\*) The reels in painted steel are equipped with mineral oil compatible swivel joint gaskets. The hose reels in stainless steel come with water-compatible Viton® swivel joint gaskets. See pages 34-36 for the complete range of swivel joints with gaskets compatible with other liquids.

\*\*\*) When ordering, specify whether or not the application implies the use of low pressure hoses (see page 37 regarding the splitting of the roller).

### DIMENSIONS AND PACKAGING

Art.no.	D (mm)	F (mm)	E (mm)	A-B-C (mm)	Packaging dimensions (mm)	Weight (kg)
<b>G1</b>	540	195	250	385x670x834	670x800x900	56
<b>G2</b>	540	260	250	450x670x834	670x800x900	63
<b>G3</b>	600	260	335	450x730x894	670x800x900	68

## HEAVY DUTY TITANO with reinforced spring

The **TITANO HEAVY DUTY** line was developed with reinforced spring and characterized by robustness and stability, for use in the most demanding applications where hoses up to  $\varnothing 1\ 1/4'' / \varnothing 1\ 1/2''$  are required.

It is supplied as standard with manual hose guide but with the possibility of being equipped with an automatic **NOVA<sup>®</sup>TG** hose guide.

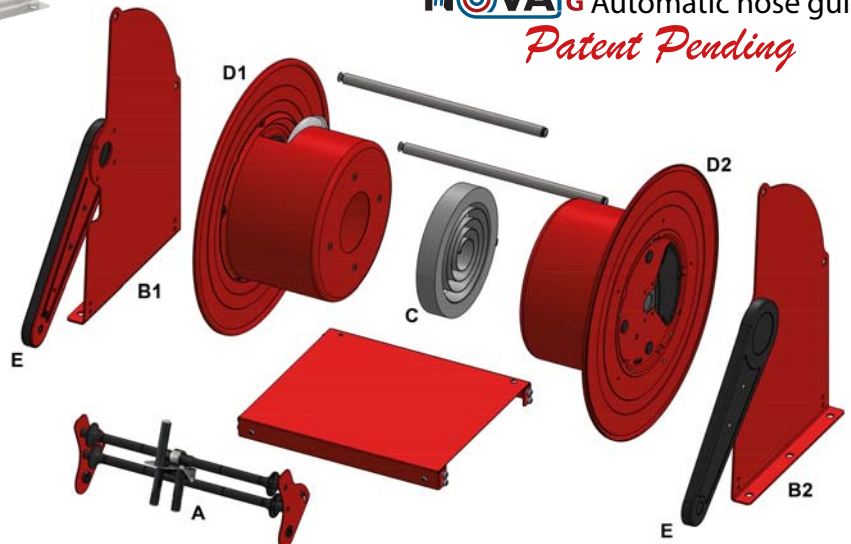
To order the automatic hose guide add **TG** to the reel's code (e.g. TF5340350TG).



**OPTIONAL**  
**NOVA<sup>®</sup>TG** Automatic hose guide  
*Patent Pending*

### LEGEND

- A** Manual hose guide
- B1** Swivel joint side base arm
- B2** Spring drive side base arm
- C** Spring
- D1** Hose exit side disc/drum assembly
- D2** Spring side disc/drum assembly and carter
- E** Guide arm cover

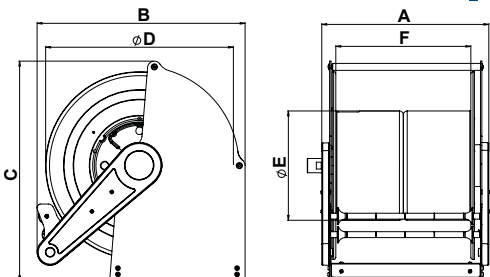


### WITH MANUAL HOSE GUIDE



### SPRING SERIES - T1 $\varnothing$ Disc 540 mm - Spool 400 mm - Drum 335 mm

	Art.no. CON GUIDATUBO MANUALE	Max. pressure joint	Connection threads IN - OUT	Spring	Max diameter hose	Max length hose (m)	Swivel joint*
<b>PAINTED STEEL</b>	<b>TF5340350</b>	600 bar **	1/2"(M)-1/2"(F)	35m	1/4"-3/8"-1/2"	35	9951
	<b>TF5340351</b>	100 bar	1"(M)-3/4"(F)		3/4" - 1"		9986
	<b>TF5340202</b>	20 bar	1 1/4"(M)-1 1/4"(M)	20m	1 1/4"	18	9982
	<b>TF5340203</b>		1 1/4"(M)-1 1/2"(M)		1 1/2"	12	9983
<b>AISI 304 STAINLESS STEEL</b>	<b>TX5340350</b>	200 bar **	1/2"(M)-1/2"(F)	35m	1/4"-3/8"-1/2"	35	9963
	<b>TX5340351</b>	100 bar	1"(M)-3/4"(F)		3/4" - 1"		9986
	<b>TX5340202</b>	20 bar	1 1/4"(M)-1 1/4"(M)	20m	1 1/4"	18	9982
	<b>TX5340203</b>		1 1/4"(M)-1 1/2"(M)		1 1/2"	12	9983



\*) The reels in painted steel are equipped with mineral oil compatible swivel joint gaskets. The hose reels in stainless steel come with water-compatible Viton<sup>®</sup> swivel joint gaskets. See pages 34-36 for the complete range of swivel joints with gaskets compatible with other liquids.

\*\*) When ordering, specify whether or not the application implies the use of low pressure hoses (see page 37 regarding the splitting of the roller).

### DIMENSIONS AND PACKAGING

Art.no.	D (mm)	F (mm)	E (mm)	A-B-C (mm)	Packaging dimensions (mm)	Weight (kg)
<b>T1</b>	540	400	335	481x598x632	670x800x900	40

**TITANO HEAVY DUTY** line with hydraulic motor suitable for 1 1/4" / 1 1/2" hoses, including 12/24 V (F1) or 230 V (F2) Electro-hydraulic control unit, button panel and complete control panel. They stand out for their robustness and stability and are suitable for heavy-duty applications.

**NOTE:** in this version the rewinding occurs via the use of the hydraulic motor, meanwhile the unwinding of the hose must be done manually.

While the rewinding occurs via the use of the hydraulic motor, the unwinding of the hose must be done manually. It is supplied as standard with manual hose guide with the possibility of equipping it with **NOVA<sup>®</sup>TG** automatic hose guide.

To order the automatic hose guide add **TG** to the reel's code (e.g. TF1252400TG).



**OPTIONAL**  
**NOVA<sup>®</sup>TG** Automatic hose guide

*Patent Pending*

Manual hose guide

### 3 VERSIONS AVAILABLE

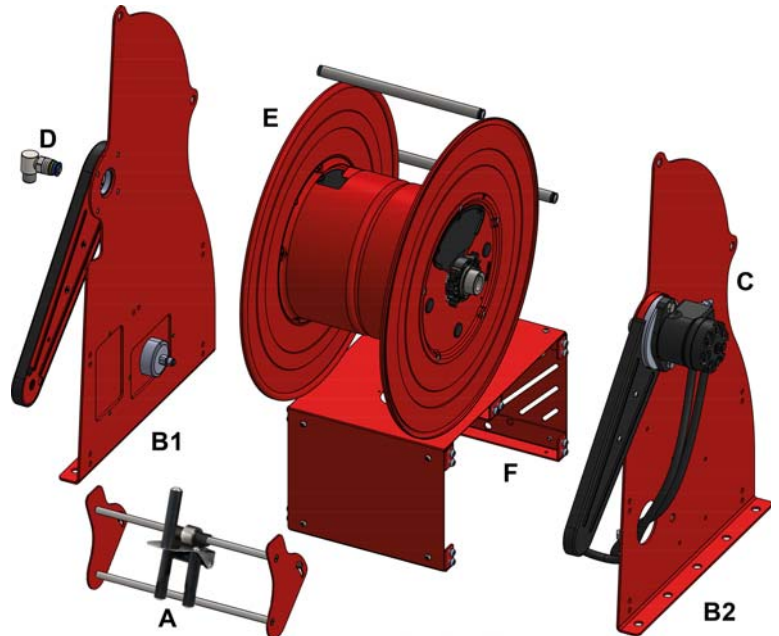
- Painted steel;
- Aisi 304;
- Aisi 316

### LEGEND

- A Hose guide
- B1 Swivel joint side base arm
- B2 Motor side base arm
- C Hydraulic motor
- D Swivel joint
- E Drum and disks assembly
- F Control Unit Housing

### HEAVY DUTY

Thanks to the use of the hydraulic motor (C) the GEMINI is capable of easily rewinding hoses of great lengths and dimensions.



### CONTROLS

**BUTTON PANEL (OPTIONAL)**



Art.no. 25103

**REMOTE CONTROL (OPTIONAL)**



Art.no. 25101

**COMPLETE CONTROL PANEL AS STANDARD**



Art.no. 25104 (230V)  
Art.no. 25105 (12V)  
Art.no. 25106 (24V)

WITH HOSE GUIDE

MANUAL HOSE GUIDE KIT

## MOTOR DRIVEN SERIES - T2 Ø Disc 540 mm - Spool 400 mm - Drum 250 mm

	Art.no. 12 V	Art.no. 24 V	Art.no. 230 V	Art.no. WITHOUT POWER SUPPLY	Max. pressure joint	Connection threads IN - OUT	Max diameter hose	Max length hose (m)	Swivel joint*
<b>PAINTED STEEL</b>	TF1252400	TF2452400	TF2352400	TFSGA52400	600 bar **	1/2"(M) 1/2"(F)	1/4"	300	9951
							3/8"	220	
							1/2"	150	
	TF1252401	TF2452401	TF2352401	TFSGA52401	100 bar	1"(M)-3/4"(F)	3/4"	85	9986
							1"	45	

<b>AISI 304 STAINLESS STEEL</b>	TX1252400	TX2452400	TX2352400	TXSGA52400	200 bar **	1/2"(M) 1/2"(F)	1/4"	300	9963
							3/8"	220	
							1/2"	150	
	TX1252401	TX2452401	TX2352401	TXSGA52401	100 bar	1"(M)-3/4"(F)	3/4"	85	9986
							1"	45	



Manual hose guide.  
Standard



Automatic hose guide.  
Optional



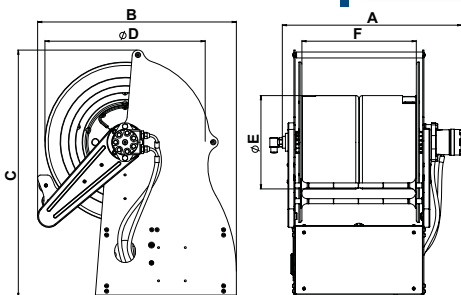
**OPTIONAL**  
**NOVA<sup>TM</sup> G**  
automatic hose guide.

*Patent Pending*

## MOTOR DRIVEN SERIES - T3 Ø Disc 540 mm - Spool 400 mm - Drum 335 mm

	Art.no. 12 V	Art.no. 24 V	Art.no. 230 V	Art.no. WITHOUT POWER SUPPLY	Max. pressure joint	Connection threads IN - OUT	Max diameter hose	Max length hose (m)	Swivel joint*
<b>PAINTED STEEL</b>	TF1253400	TF2453400	TF2353400	TFSGA53400	600 bar **	1/2"(M) 1/2"(F)	1/4"	230	9951
							3/8"	170	
							1/2"	120	
	TF1253401	TF2453401	TF2353401	TFSGA53401	100 bar	1"(M)-3/4"(F)	3/4"	65	9986
							1"	38	
	TF1253402	TF2453402	TF2353402	TFSGA53402	20 bar	1 1/4"(M)- 1 1/4"(M)	1 1/4"	20	9982
							TF1253403	TF2453403	

<b>AISI 304 STAINLESS STEEL</b>	TX1253400	TX2453400	TX2353400	TXSGA53400	200 bar **	1/2"(M) 1/2"(F)	1/4"	230	9963
							3/8"	170	
							1/2"	120	
	TX1253401	TX2453401	TX2353401	TXSGA53401	100 bar	1"(M)-3/4"(F)	3/4"	65	9986
							1"	38	
	TX1253402	TX2453402	TX2353402	TXSGA53402	20 bar	1 1/4"(M)- 1 1/4"(M)	1 1/4"	20	9982
							TX1253403	TX2453403	



\*) The reels in painted steel are equipped with mineral oil compatible swivel joint gaskets. The hose reels in stainless steel come with water-compatible Viton® swivel joint gaskets. See pages 34-36 for the complete range of swivel joints with gaskets compatible with other liquids.

\*\* ) When ordering, specify whether or not the application implies the use of low pressure hoses (see page 37 regarding the splitting of the roller).

## DIMENSIONS AND PACKAGING

Art.no.	D (mm)	F (mm)	E (mm)	A-B-C (mm)	Packaging dimensions (mm)	Weight (kg)
<b>T2</b>	540	400	250	586x670x834	670x800x901	70
<b>T3</b>	540	400	335	586x670x834	670x800x902	71

WITH HOSE GUIDE

MANUAL HOSE GUIDE KIT

## MOTOR DRIVEN SERIES - T4 Ø Disc 600 mm - Spool 400 mm - Drum 250 mm

	Art.no. 12 V	Art.no. 24 V	Art.no. 230 V	Art.no. WITHOUT POWER SUPPLY	Max. pressure joint	Connection threads IN - OUT	Max diameter hose	Max length hose (m)	Swivel joint*
<b>PAINTED STEEL</b>	TF1262401	TF2462401	TF2362401	TFSGA62401	100 bar	1"(M)-3/4"(F)	3/4"	100	9986
							1"	60	
<b>AISI 304 STAINLESS STEEL</b>	TX1262401	TX2462401	TX2362401	TXSGA62401	100 bar	1"(M)-3/4"(F)	3/4"	100	9986
							1"	60	

## MOTOR DRIVEN SERIES - T5 Ø Disc 600 mm - Spool 400 mm - Drum 335 mm

	Art.no. 12 V	Art.no. 24 V	Art.no. 230 V	Art.no. WITHOUT POWER SUPPLY	Max. pressure joint	Connection threads IN - OUT	Max diameter hose	Max length hose (m)	Swivel joint*		
<b>PAINTED STEEL</b>	TF1263401	TF2463401	TF2363401	TFSGA63401	100 bar	1"(M)-3/4"(F)	3/4"	85	9986		
	TF1263402	TF2463402	TF2363402	TFSGA63402			20 bar	1 1/4"(M)- 1 1/4"(M)		1 1/4"	45
	TF1263403	TF2463403	TF2363403	TFSGA63403				1 1/4"(M)- 1 1/2"(M)		1 1/2"	20
<b>AISI 304 STAINLESS STEEL</b>	TX1263401	TX2463401	TX2363401	TXSGA63401	100 bar	1"(M)-3/4"(F)	3/4"	85	9986		
	TX1263402	TX2463402	TX2363402	TXSGA63402			20 bar	1 1/4"(M)- 1 1/4"(M)		1 1/4"	45
	TX1263403	TX2463403	TX2363403	TXSGA63403				1 1/4"(M)- 1 1/2"(M)		1 1/2"	20

## MOTOR DRIVEN SERIES - T6 Ø Disc 600 mm - Spool 600 mm - Drum 335 mm

	Art.no. 12 V	Art.no. 24 V	Art.no. 230 V	Art.no. WITHOUT POWER SUPPLY	Max. pressure joint	Connection threads IN - OUT	Max diameter hose	Max length hose (m)	Swivel joint*		
<b>PAINTED STEEL</b>	TF1263601	TF2463601	TF2363601	TFSGA63601	100 bar	1"(M)-3/4"(F)	3/4"	130	9986		
	TF1263602	TF2463602	TF2363602	TFSGA63602			20 bar	1 1/4"(M)- 1 1/4"(M)		1 1/4"	70
	TF1263603	TF2463603	TF2363603	TFSGA63603				1 1/4"(M)- 1 1/2"(M)		1 1/2"	48
<b>AISI 304 STAINLESS STEEL</b>	TX1263601	TX2463601	TX2363601	TXSGA63601	100 bar	1"(M)-3/4"(F)	3/4"	130	9986		
	TX1263602	TX2463602	TX2363602	TXSGA63602			20 bar	1 1/4"(M)- 1 1/4"(M)		1 1/4"	70
	TX1263603	TX2463603	TX2363603	TXSGA63603				1 1/4"(M)- 1 1/2"(M)		1 1/2"	48



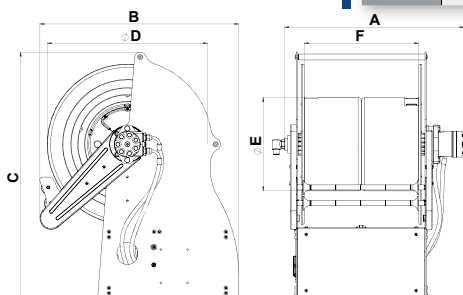
Manual hose guide.  
Standard



Automatic hose guide.  
Optional



Manual hose guide.  
Standard



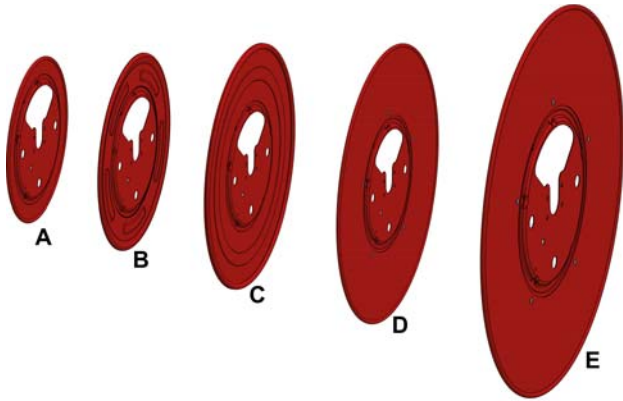
\*) The reels in painted steel are equipped with mineral oil compatible swivel joint gaskets. The hose reels in stainless steel come with water-compatible Viton® swivel joint gaskets. See pages 34-36 for the complete range of swivel joints with gaskets compatible with other liquids.

\*\*\*) When ordering, specify whether or not the application implies the use of low pressure hoses (see page 37 regarding the splitting of the roller).

## DIMENSIONS AND PACKAGING

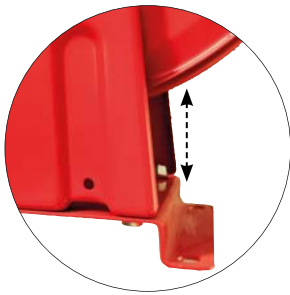
Art.no.	D (mm)	F (mm)	E (mm)	A-B-C (mm)	Packaging dimensions (mm)	Weight (kg)
<b>T4</b>	600	400	250	586x730x894	670x800x903	74
<b>T5</b>	600	400	335	586x730x894	670x800x904	75
<b>T6</b>	600	600	335	786x730x894	-	78

FLEXBIMEC hose reels, in addition to the standard versions, can be offered in **custom sizes** to meet specific application needs.



The discs are available in different sizes, including custom made, for all space requirements:

- A:** Ø 330mm
- B:** Ø 434mm
- C:** Ø 540mm
- D:** Ø 600mm / 660mm
- E:** Ø 1100mm



On request it is possible to provide a lowered version of the ANDROMEDA models with **HOVA** hose guide, reducing its height **UP TO 5 CM less**.

## THIN REEL LINE

## SPECIAL HOSE REELS

The **Thin Reel line** was developed to manage hoses where there is a need to work in limited spaces. The innovative construction design makes the hose reel particularly suitable for applications with limited space availability.

The reels are designed with a single guide arm to be able to be allocated in small spaces.

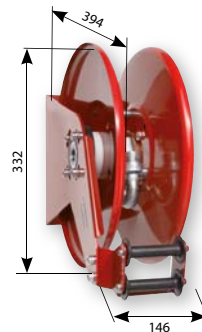
Art.no. **9504**

Automatic rewind, spring-driven hose reel, **series THIN REEL**, in painted steel, suitable for hoses of max 8 m length (Ø hose 1/2") or max 15 m length (Ø hose 1/4").

The hose reel is supplied without hoses and can be used with hoses for the supply of **oils, grease and compressed air**.

Art.no. **9505**

Same as art.no. 9504, but equipped with wetted parts in stainless steel AISI 304, for the use with **AdBlue®/DEF/AUS32, water, antifreeze, compressed air and water-based fluids, at low pressure**.



### THIN REEL 300 SERIES

### Ø Disc 332 mm - Spool 75 mm

**PAINTED STEEL**

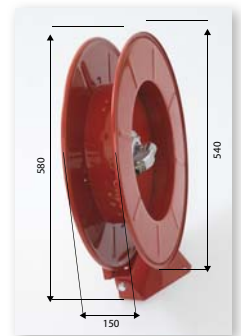
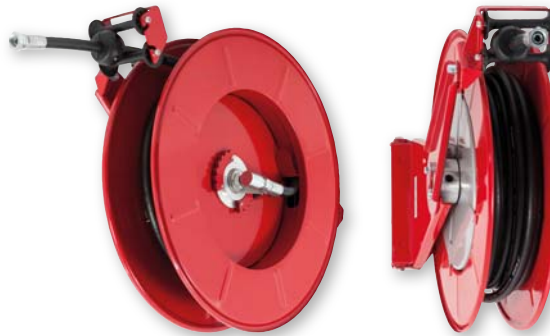
Art.no.	Max working pressure	Connection threads IN - OUT	Max diameter hose	Max length hose 1/2" - 1/4" (m)	Material wetted parts	Weight (kg)	Packaging dimensions (mm)
<b>9504</b>	100 bar	1/2" (F) - 1/2" (M)	<b>1/2"</b>	<b>8 - 15</b>	Brass	9	600x510x270
<b>9505</b>	15 bar				Stainless steel AISI 304		



Art.no. **9060**



Automatic rewind, **spring-driven** hose reel, **series THIN REEL**, in painted steel, suitable for hoses of max 25 m length (Ø hose 1/2"). This hose reel is equipped with a swivelling bracket which allows a rotation of 90° so that a laterally installed reel can be used then forward-facing and can be repositioned easily again after use.



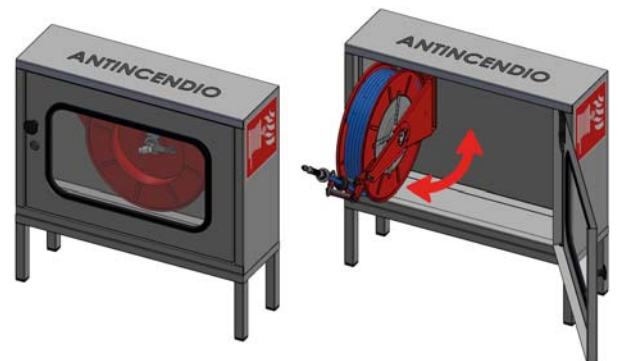
Art.no. **9060M**



Automatic rewind, **manual-driven** hose reel, **series THIN REEL**, in painted steel, suitable for hoses of max 25 m length (Ø hose 1/2"). This hose reel is equipped with a swivelling bracket which allows a rotation of 90° so that a laterally installed reel can be used then forward-facing and can be repositioned easily again after use.



Example of enclosed spece application. The reel is easily adjustable thanks to the pivotig wall bracket.



**THIN REEL 500 SERIES**

**Ø Disc 540 mm - Spool 120 mm**

**PAINTED STEEL**

Art.no.	Max working pressure	Internal diameter swivel joint	Max diameter hose	Max length hose (m)	Swivel joint	Dimensions (mm)	Weight (kg)	Packaging dimensions (mm)
<b>9060</b>	200 bar	12 mm	1/2"	25	9952	150x540x580	14	630x590x280
<b>9060M</b>							13	

90° - high pressure swivel joints in galvanized steel for the use with painted hose reel models for hoses up to 1/2".



Art.no. 9951

Art.no. 9951 Recommended for usual pressure applications with grease or oils (this is the standard swivel joint mounted on all painted steel hose reels for the use with grease up to 1/2").

Art.no. 9952 Recommended for applications with mineral oils and compressed air (this is the standard swivel joint mounted on all painted steel hose reels for the use with oils up to 1/2").

Art.no. 9953 Recommended for applications with glycol and brake fluid.



Art.no. 9952



Art.no. 9953

Art. no.	Connection threads IN - OUT	Max working pressure	Max temperature	Internal diameter inlet swivel joint	Gaskets
9951	1/2" BSP (M)	600 bar	60° C	10 mm	PUR
9952	1/2" BSP (M)	200 bar	60° C	12 mm	PUR
9953	1/2" BSP (M)	200 bar	150° C	10 mm	EPDM

90° - high pressure swivel joints in galvanized steel for the use with painted steel hose reel models for hoses up to 1".

Recommended for high pressure applications with fluid lubricants.



Art.no. 9979



Art.no. 9969

Art. no.	Connection threads IN - OUT	Max working pressure (*)	Max temperature	Internal diameter inlet swivel joint	Gaskets
9969	1" BSP (M)	20 bar	100° C	20 mm	FPM
9979	1" BSP (M)	20 bar	100° C	20 mm	FFKM

(\*) Static pressure

High pressure swivel joint, 90° - type, in galvanized steel, with ball valve, self-lubricating.



Art. no.	Connections	Max static pressure	Max flow rate
SJ9004	3/4" BSP	310 bar	120 l/min
SJ9005	1" BSP	280 bar	150 l/min
SJ9006	1 1/4" BSP	250 bar	200 l/min
SJ9007	1 1/2" BSP	210 bar	250 l/min
SJ9009	2" BSP	180 bar	300 l/min

High pressure swivel joint, straight type, in galvanized steel, with ball valve, self-lubricating.

Art. no.	Connection	Max static pressure	Max flow rate
SJL04	3/4" BSP	310 bar	120 l/min

Straight low pressure swivel joints in brass / free cutting steel. Recommended for applications with oils, diesel and compressed air.



Art.no. 2107/11



Art.no. 2107/10



Art.no. 2107/09



Art.no. 2107/35



Art.no. 2107/34

Art. no.	Connection threads IN - OUT	Max working pressure	Max temperature	Internal diameter inlet swivel joint	Gaskets
2107/34	3/4" BSP (M) - 1" BSP (F)	20 bar	60° C	20 mm	NBR
2107/35	3/4" BSP (M) - 1" BSP (M)	20 bar	60° C	20 mm	NBR
2107/09	1" BSP (M) - 1" BSP (M)	20 bar	60° C	20 mm	NBR
2107/10	1" BSP (M) - 1" BSP (F)	20 bar	60° C	20 mm	NBR
2107/11	1 1/4" BSP (M) - 1" BSP (M)	20 bar	60° C	25 mm	NBR

90° - high pressure swivel joints in stainless steel for the use with hose reel models for hoses up to 1/2".

Recommended for applications with water, AdBlue®/DEF/AUS32, glycol, other fluids compatible with this type of steel and compressed air.

The standard swivel joint mounted on all stainless steel hose reels in 1/2" is art. no. 9963.



Art.no. 9964



Art.no. 9955



Art.no. 9961



Art.no. 9967



Art.no. 9962

Art.no. 9963

Art. no.	Connection threads IN - OUT	Max working pressure	Max temperature	Internal diameter inlet swivel joint	Gaskets	Material swivel joint body
9955	M 22 x1.5	200 bar	150° C	10 mm	EPDM	Stainless steel AISI 303
9961	1/2" BSP (M)	400 bar	200° C	10 mm	FPM	Stainless steel AISI 303
9962	1/2" BSP (M)	400 bar	200° C	10 mm	FPM	Stainless steel AISI 316
9963	1/2" BSP (M)	200 bar	150° C	10 mm	EPDM	Stainless steel AISI 303
9964	1/2" BSP (F)	200 bar	150° C	10 mm	EPDM	Stainless steel AISI 303
9966	1/2" BSP (M)	600 bar	200° C	10 mm	FPM	Stainless steel AISI 303
9967	1/2" BSP (M)	200 bar	150° C	12 mm	EPDM	Stainless steel AISI 303

90° - high pressure swivel joints in stainless steel for the use with hose reel models for hoses up to 1".

Recommended for applications with water, AdBlue®/DEF/AUS32, glycol, other fluids compatible with this type of steel and compressed air.

The standard swivel joint mounted on all stainless steel hose reels in 1" is art. no. 9986.



Art.no. 9987

Art.no. 9981



Art.no. 9986



Art. no.	Connection threads IN - OUT	Max working pressure (*)	Max temperature	Internal diameter inlet swivel joint	Gaskets	Material swivel joint body
9986	1" BSP (M)	100 bar	100° C	20 mm	FPM	Stainless steel AISI 303
9987	1" BSP (M)	100 bar	100° C	22 mm	FFKM	Stainless steel AISI 303
9981	1" BSP (M)	100 bar	100° C	22 mm	FFKM	Stainless steel AISI 316

(\*) Static pressure

Interchangeable fluid shaft suitable for installation in hose reels in dimension 1/2".

They are available in galvanized and stainless steel AISI 304. In combination with the swivel joints of catalogue pages 216 and 218 they enable the use of a painted steel hose reel model also for fluids that require wetted parts in stainless steel (f. ex. water, AdBlue®/DEF/AUS32), just by changing the components which are in contact with the fluid.



Art.no. 9989



Art.no. 9988



### Explanation:

**EPDM:** Etylene Propylene Diene Monomer

**FPM:** GFluoro rubber (Viton®)

**FFKM:** Perfluorinated rubber (Kalrez®)

**PUR:** Polyester Urethane rubber (Vulkollan®)

Art. no.	Inlet connection thread	Outlet connection thread	Internal diameter inlet swivel joint	Material swivel joint body
9988	3/4" BSP (F)	1/2" BSP (M)	12 mm	Galvanized steel
9989	3/4" BSP (F)	1/2" BSP (M)	12 mm	Stainless steel AISI 304



## TOWER CONNECTION

90° degrees curve with hinge for Ø 1" hose reel for an easy connection of the hose and facilitate the fluid flow without bottlenecks.

This new model allows you to mount the bend directly on the hose's thread, fasten it on the hinge and assemble it on the hose reel.

Available in galvanized steel and AISI 304 stainless steel, which, combined to the swivel joints, also allow the use of painted hose reels in applications where the fluid requires passages in stainless steel (e.g. water, AdBlue®/DEF/AUS32, etc.). They are available in different heights for hose reels with drum diameter 250mm or 335mm.



Art.no. for Drum 250 mm	Art.no. for Drum 335 mm	IN connection	OUT connection	Ø	Material
<b>9991</b>	<b>9991L</b>	F 1" BSP	M 3/4" BSP	19 mm	GALVANIZED STEEL
<b>9992</b>	<b>9992L</b>	F 1" BSP	M 1" BSP	19 mm	GALVANIZED STEEL
<b>9993</b>	<b>9993L</b>	F 1" BSP	M 3/4" BSP	19 mm	GALV. STEEL/ANOD. ALUMINUM
<b>9994</b>	<b>9994L</b>	F 1" BSP	M 1" BSP	19 mm	GALV. STEEL/ANOD. ALUMINUM
<b>1093</b>	<b>1093L</b>	F 1" BSP	M 3/4" BSP	19 mm	AISI 304 STAINLESS STEEL
<b>1094</b>	<b>1094L</b>	F 1" BSP	M 1" BSP	19 mm	AISI 304 STAINLESS STEEL
<b>1190</b>	<b>1190L</b>	F 3/4" BSP	M 1/2" BSP	12 mm	AISI 304 STAINLESS STEEL
<b>1191</b>	<b>1191L</b>	F 3/4" BSP	M 3/8" BSP	12 mm	AISI 304 STAINLESS STEEL
<b>1192</b>	<b>1192L</b>	F 3/4" BSP	M 1/4" BSP	12 mm	AISI 304 STAINLESS STEEL



## GOOSENECK

"Goose neck" bend with hinge for an easy connection of the hose and facilitate the fluid flow without bottlenecks.

Available in galvanized steel and AISI 304 stainless steel, which, combined to the swivel joints, also allow the use of painted hose reels in applications where the fluid requires passages in stainless steel (e.g. water, AdBlue®/DEF/AUS32, etc.).

Art.no. **9996-9997** for hose reel with 250 mm drum.

Art.no. **9996L-9997L** for hose reel with 335 mm drum.



Art.no.	IN connection	OUT connection	Ø	Material
<b>9996</b>	F 1" BSP	M 3/4" BSP	19 mm	AISI 304 STAINLESS STEEL
<b>9997</b>	F 1" BSP	M 1" BSP	20 mm	AISI 304 STAINLESS STEEL
<b>9996L</b>	F 1" BSP	M 3/4" BSP	19 mm	AISI 304 STAINLESS STEEL
<b>9997L</b>	F 1" BSP	M 1" BSP	20 mm	AISI 304 STAINLESS STEEL

## ROLLER SPHERE

Stainless steel swivel joints for Ø 1 1/4" and Ø 1 1/2" hose reels with fixed hinge and swivel support with built-in curve.

Art.no. **9982L** for hose reel with 335 mm drum.

Art.nos. **9983 e 9982L** are joints inside the roller with a fixed hinge.

Art.nos. **9959 and 9960** are swivel joints with external application and rotation of the joint itself.



Art.no.	IN connection	OUT connection	P. Max	T. Max	Ø	Gasket	Pin length	Material
<b>9983</b>	M 1 1/4" BSP	M 1 1/2" BSP	20 bar	100° C	33 mm	Viton® NBR	80 mm	AISI 304
<b>9982L</b>	M 1 1/4" BSP	M 1 1/4" BSP	20 bar	100° C	26 mm	Viton® NBR	80 mm	AISI 304
<b>9959</b>	M 1 1/2" BSP	M 1 1/4" BSP	20 bar	100° C	25 mm	Viton® NBR	75 mm	AISI 304
<b>9960</b>	M 1 1/2" BSP	M 1 1/2" BSP	20 bar	100° C	32 mm	Viton® NBR	75 mm	AISI 304

The range of **FLEXBIMEC** reels is made in two different versions depending on the type of hose mounted in the drum:

- **Short gap roller** (standard, provides a 90° bend of the hose).
- **Long gap roller** (requires assembly of the hose aligned with the drum without bending).

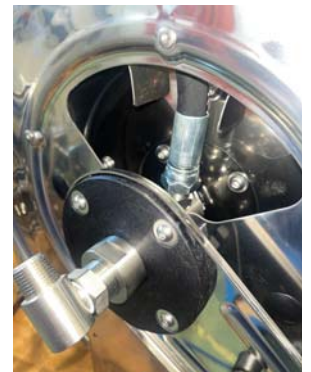
Where high pressure hoses (with metal braid) are used, it is recommended to choose the roller with Short gap, meanwhile, to fit low pressure hoses (with textile braid), choose the roller with long gap and Tower Connection curve which permit to align the hose on the drum without causing bottlenecks.

## SHORT GAP DRUM

Standard for hoses up to 1/2" at high pressure



The hose is mounted directly on the hinge via an adapter (nipples): in this way the hose is bent 90°. Indicate the diameter of the hose.



## LONG GAP DRUM

Standard for 1/4" up to 1" low pressure hoses



The hose reel is supplied with the curve TOWER CONNECTION to allow the hoses to align correctly, avoiding bending and bottlenecks. Indicate the diameter of the pipe.



Art.no. 9862 Adapter for joint Ø 1/2" from mount on Ø 1" pin.



**WHEN ORDERING HOSE REELS FOR HOSE APPLICATIONS AT LOW PRESSURE IT IS NECESSARY TO INDICATE THE DRUM MODEL WITH LONG GAP BP + THREAD DIAMETER.**

**Example: AF4213150BP (low pressure version).**

High pressure rubber hoses in accordance with SAE 100 R1AT, with swaged female BSP connection threads (swivel nuts), suitable for the supply of **oils** and **diesel** at high pressure.

Internal structure in oil-resistant, synthetic rubber, coating in rubber highly resistant to abrasion, ozone and atmospheric influences. Reinforcement: 1 steel wire braided, highly resistant layer.



Art. no.	Nominal diameter	Internal diameter	External diameter	Working pressure	Burst pressure	Min bending radius	Working temperature (min/max)	Weight
<b>37XX</b>	3/8"	10 mm	17.4 mm	180 bar	720 bar	130 mm	-40/+100°C	0.33 kg/m
<b>287XX</b>	1/2"	12.7 mm	20.6 mm	160 bar	640 bar	180 mm	-40/+100°C	0.43 kg/m
<b>289XX</b>	3/4"	19.0 mm	27.7 mm	105 bar	420 bar	240 mm	-40/+100°C	0.61 kg/m
<b>2895XX</b>	1"	25.4 mm	35.6 mm	88 bar	350 bar	300 mm	-40/+100°C	0.94 kg/m

**XX**= stands for the required hose length in meters (f. ex. 28715 = 15 m)

High pressure rubber hoses in accordance with SAE 100 R2AT, with swaged female BSP connection threads (swivel nuts), suitable for the supply of **grease** and **water** at high pressure.

Internal structure in oil-resistant, synthetic rubber, coating in rubber highly resistant to abrasion, ozone and atmospheric influences. Reinforcement: 2 steel wire braided, highly resistant layers.



Art. no.	Nominal diameter	Internal diameter	External diameter	Working pressure	Burst pressure	Min bending radius	Working temperature (min/max)	Weight
<b>45XX</b>	1/4"	6.4 mm	15 mm	400 bar	1600 bar	100 mm	-40/+100°C	0.36 kg/m
<b>47XX</b>	3/8"	9.5 mm	19 mm	330 bar	1320 bar	130 mm	-40/+100°C	0.53 kg/m
<b>48XX</b>	1/2"	12.7 mm	22.2 mm	275 bar	1100 bar	180 mm	-40/+100°C	0.63 kg/m
<b>488XX</b>	3/4"	19 mm	29.3 mm	215 bar	850 bar	240 mm	-40/+100°C	0.92 kg/m
<b>4885XX</b>	1"	25.4 mm	38.1 mm	165 bar	650 bar	300 mm	-40/+100°C	1.38 kg/m

**XX**= stands for the required hose length in meters (f. ex. 4515 = 15 m)

High pressure, **blue antistaining rubber hoses**, in accordance with SAE 100 R2AT, with swaged female BSP connection threads (swivel nuts), suitable for the supply of **water** at high pressure (f. ex. in combination with high pressure cleaners).

Internal structure in oil-resistant, synthetic rubber, coating in rubber highly resistant to abrasion, ozone and atmospheric influences. Reinforcement: 2 steel wire braided, highly resistant layers.



Art. no.	Nominal diameter	Internal diameter	External diameter	Working pressure	Burst pressure	Min bending radius	Working temperature (min/max)	Weight
<b>46XXAM</b>	5/16"	7.9 mm	15 mm	400 bar	1600 bar	85 mm	-10/+160°C	0.36 kg/m
<b>47XXAM</b>	3/8"	9.5 mm	18 mm			90 mm		0.46 kg/m
<b>48XXAM</b>	1/2"	12.7 mm	22.2 mm			100 mm		0.63 kg/m

**XX**= stands for the required hose length in meters (f. ex. 4615AM = 15 m)

Low pressure rubber hoses in accordance with SAE 100 R6 – DIN EN 854, with swaged female BSP connection threads (swivel nuts), suitable for the supply of **diesel** and **water** at low pressure.

Internal structure in oil-resistant, synthetic rubber, coating in rubber highly resistant to abrasion, ozone and atmospheric influences. Reinforcement: 1 textile braided and 1 steel wire braided layer.



Art. no.	Nominal diameter	Internal diameter	External diameter	Working pressure	Burst pressure	Min bending radius	Working temperature (min/max)	Weight
<b>288XX</b>	3/4"	19 mm	26 mm	10 bar	97 bar	140 mm	-40/+100°C	0.32 kg/m
<b>2896XX</b>	1"	25 mm	32 mm	10 bar	97 bar	152 mm	-40/+100°C	0.43 kg/m
<b>2897XX</b>	1 1/4"	32 mm	43 mm	10 bar	40 bar	185 mm	-40/+100°C	1.02 kg/m
<b>28997XX</b>	1 1/2"	38 mm	50 mm	10 bar	40 bar	225 mm	-40/+100°C	1.60 kg/m

**XX**= stands for the required hose length in meters (f. ex. 28815 = 15 m)

Low pressure synthetic rubber hoses with swaged female BSP connection threads (swivel nuts) in brass (on demand also in stainless steel), suitable for the use with **hot water** in food industry applications.

Internal structure white, food industry – qualified synthetic rubber, coating in blue rubber highly resistant to abrasion, heat, ozone and atmospheric influences. Reinforcement with highly resistant synthetic cord. In accordance with FDA food industry standards.



Art. no.	Nominal diameter	Internal diameter	External diameter	Working pressure	Burst pressure	Min bending radius	Working temperature (min/max)	Weight
<b>187XX</b>	1/2"	12 mm	22 mm	10 bar	30 bar	100 mm	-30/+120°C	0.3 kg/m
<b>189XX</b>	3/4"	19 mm	31 mm			112 mm		0.7 kg/m
<b>1896XX</b>	1"	25 mm	37 mm			152 mm		0.9 kg/m

**XX**= stands for the required hose length in meters (f. ex. 18715 = 15 m)

Low pressure hoses in hydrocarbon resistant black rubber with swaged female BSP connection threads (swivel nuts), suitable for the use with **petrol, unleaded petrol and diesel** in accordance with norm **EN 1360 type 1 ISO 1307**.

Smooth internal structure in black nitrile rubber, resistant to hydrocarbons. Cover in conductive black rubber, highly resistant to oils, abrasion, ozone and atmospheric influences. Reinforcement with high tenacity textile inserts and antistatic copper cord



Art. no.	Nominal diameter	Internal diameter	External diameter	Working pressure	Burst pressure	Min bending radius	Working temperature (min/max)	Weight
<b>2861XX</b>	1/2"	12.7 mm	21.5 mm	16 bar	48 bar	50 mm	-30/+55°C	0.29 kg/m
<b>2863XX</b>	3/4"	19 mm	29 mm			95 mm		0.48 kg/m
<b>2864XX</b>	1"	25.4 mm	36.5 mm			130 mm		0.69 kg/m

**XX**= stands for the required hose length in meters (f. ex. 286115 = 15 m)

Low pressure hoses in hydrocarbon resistant black rubber with swaged female BSP connection threads (swivel nuts), suitable for the use with **fuels and petrol** in accordance with norm **EN 1761**.

Smooth internal structure in black rubber, resistant to hydrocarbons with an aromatic content of not more than 60 % and unleaded petrol with a max MTBE - content of 5 %. Cover in conductive black rubber, highly resistant to abrasion, ozone and atmospheric influences. Reinforcement with highly resistant synthetic cord. Resistant to inflammability in accordance with code of practice for flammable fluids TRBF 131, part 2, no. 5.5.



Art. no.	Nominal diameter	Internal diameter	External diameter	Working pressure	Burst pressure	Min bending radius	Working temperature (min/max)	Weight
<b>2894XX</b>	1"	25 mm	38 mm	18 bar	81 bar	182 mm	-30/+70°C	0.85 kg/m

**XX**= stands for the required hose length in meters (f. ex. 289415 = 15 m)

Low pressure synthetic EPDM rubber hoses with swaged female BSP connection threads (swivel nuts) in stainless steel, suitable for the use with **AdBlue®/DEF/AUS32, water at low and high temperatures, chemical fluids, acids, glycol and compressed air** at low pressure. Internal structure in conductive black rubber, cover in black rubber, highly resistant to abrasion, heat, ozone and atmospheric influences. Reinforcement with highly resistant synthetic cord. In accordance with norm BS 2050:1978.



Art. no.	Nominal diameter	Internal diameter	External diameter	Working pressure	Burst pressure	Min bending radius	Working temperature (min/max)	Weight
<b>2898XX</b>	1/2"	13 mm	21 mm	20 bar	60 bar	100 mm	-40/+120°C	0.26 kg/m
<b>2899XX</b>	3/4"	19 mm	30 mm			112 mm		0.57 kg/m

**XX**= stands for the required hose length in meters (f. ex. 289815 = 15 m)

Low pressure, blue PVC – hoses with swaged female BSP connection threads (swivel nuts) in brass, suitable for the use with **compressed air and water** at low pressure. Reinforcement with highly break resistant polyester cord.



Art. no.	Nominal diameter	Internal diameter	External diameter	Working pressure	Burst pressure	Min bending radius	Working temperature (min/max)	Weight
<b>38XX</b>	3/8"	10 mm	16.5 mm	40 bar	120 bar	80 mm	-15 / +50°C	0.19 kg/m
<b>277XX</b>	1/2"	13 mm	20 mm	40 bar	120 bar	100 mm	-15 / +50°C	0.25 kg/m
<b>399XX</b>	3/4"	19 mm	28 mm	40 bar	120 bar	112 mm	-15 / +50°C	0.47 kg/m
<b>3995XX</b>	1"	25 mm	36 mm	20 bar	60 bar	152 mm	-15 / +50°C	0.84 kg/m

**XX**= stands for the required hose length in meters (f. ex. 3815 = 15 m)

Models that are equipped with speed reducers or a hydraulic motor allow manual unrolling of the hose but stalling the winding mechanism through a brake in order to avoid excessive unrolling of the drum due to inertia.

**Position 1****Position 2****Position 3****Position 4****Position 5****Position 6**



The **UNIVERS** series, as well as in RED (RAL 3002) and stainless steel, can be supplied in the following colours:

- |              |            |             |            |
|--------------|------------|-------------|------------|
| - WHITE      | (RAL 9010) | - BLUE      | (RAL 5019) |
| - BLACK      | (RAL 9005) | - DARK GRAY | (RAL 7016) |
| - LIGHT GRAY | (RAL 7040) | - YELLOW    | (RAL 1004) |



**RAL 3002**



**RAL 5019**



**RAL 9010**



**RAL 7040**



**RAL 7016**



**RAL 9005**

.....

## Example of GEMINI hose reel application on TIR cab





## GEMINI TROLLEY



## ANDROMEDA TROLLEY



## ORION TROLLEY





**MADE IN ITALY**



**FLEXBIMEC INTERNATIONAL S.r.l.**

42020 ALBINEA (RE) - ITALY - Via Roma, 26

Tel. +39 0522 347330 - [info@flexbimec.com](mailto:info@flexbimec.com)

[www.flexbimec.com](http://www.flexbimec.com)



**FLEXBIMEC BRAZIL Ltda**

Av. F. S. Bitencourt, 1369

Porto Alegre (RS)

Tel. +55 51 33772352

[comercial@flexbimec.com.br](mailto:comercial@flexbimec.com.br)

**FLEXBIMEC N.A. CORP.**

601 Brickel Drive - 33131 MIAMI (FL)

Tel. +1 3056002719

[info@flexbimec.com](mailto:info@flexbimec.com)

[www.flexbimec.us](http://www.flexbimec.us)