

Medium Pressure Cone and Thread Fittings

The best partner for value creation
We support the innovations of customer



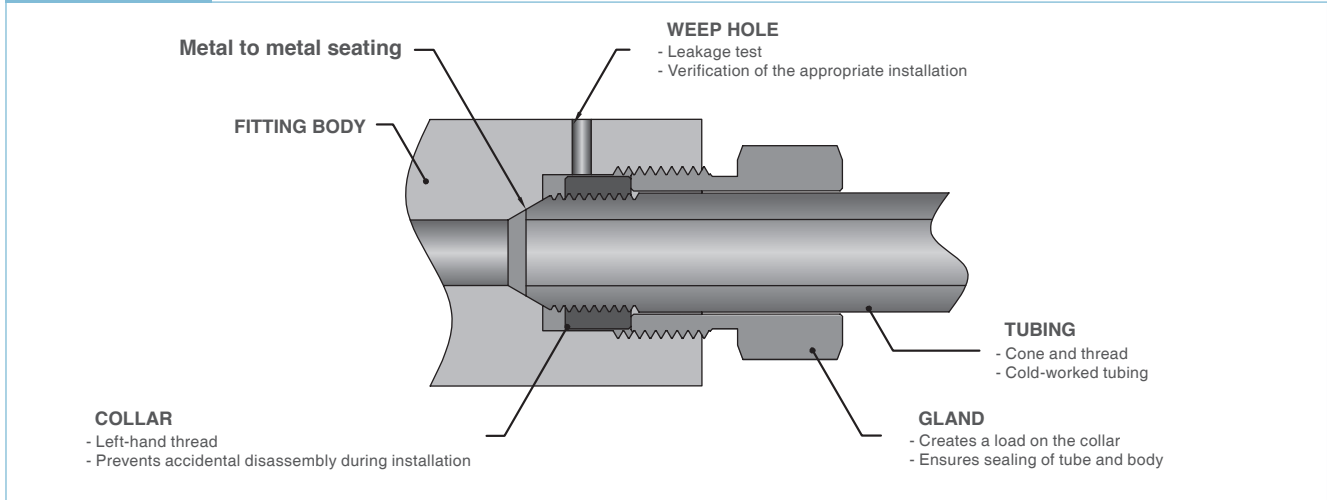
12



Catalogue No. S-LOK Mar.2024

Medium Pressure Cone and Thread Fitting - MP Series

up to 20,000 psig



Features

- Cone and thread connection provides dependable medium and high pressure performance.
- Pressures to 20,000 psi (1,379 bar)
- Available manufactured from cold worked 316 Sainless steel.
- Operating Temperatures from -423°F (-252°C) to 1200°F (650°C).
- Anti-vibration connection components available.
- All items available in special material.

Materials of Construction

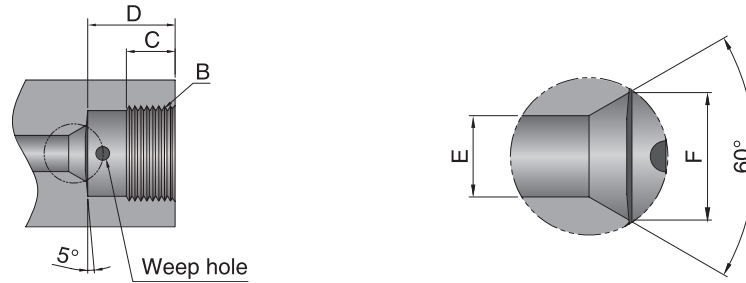
Component	Material
Body	Stainless Steel 316
Gland	Stainless Steel 316
Collar	Stainless Steel 316

Ordering Information



Product Type	Connection Size	Material
Refer to the basic ordering number in the dimension table.	<ul style="list-style-type: none"> - 4 : 1/4" - 6 : 3/8" - 9 : 9/16" - 12 : 3/4" - 16 : 1" 	- S6 : Stainless Steel 316

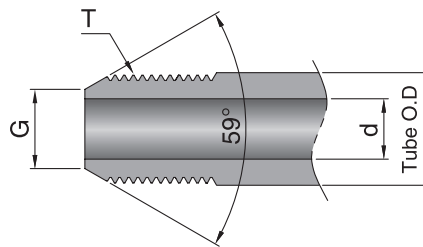
↗ Cone & Thread Tube End Dimensions



Female Pocket

Female Seat

Tube O.D inch	Dimensions, mm(inch)				
	B	C	D	E	F
1/4	7/16-20	7.1(0.28)	12.7(0.50)	2.8(0.11)	4.8(0.19)
3/8	9/16-18	9.7(0.38)	16.0(0.63)	5.1(0.20)	7.9(0.31)
9/16	13/16-16	11.2(0.44)	19.1(0.75)	7.9(0.31)	12.7(0.50)
3/4	3/4-14 NPSM	12.7(0.50)	23.9(0.94)	11.2(0.44)	16.0(0.63)
1	1 3/8-12	20.6(0.81)	33.3(1.31)	14.2(0.56)	22.4(0.88)



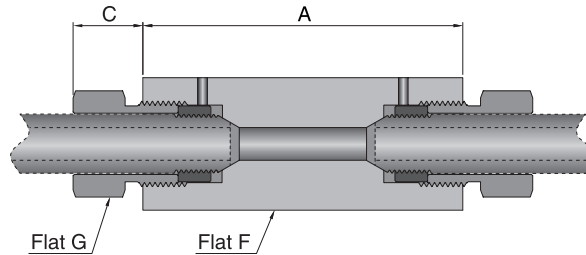
Male Coned Tube

Tube O.D inch	Dimensions, mm(inch)			Working Pressure, psig(bar)		
	G	d	T Left Hand Thread	Strain-Hardened 316 SS		
				200°F (93°C)	400°F (204°C)	600°F (316°C)
1/4(6.35)	3.6(0.14)	2.77(0.109)	1/4-28	20,000(1,379)	19,000(1,310)	18,000(1,241)
3/8(9.53)	6.4(0.25)	5.16(0.203)	3/8-24	20,000(1,379)	19,000(1,310)	18,000(1,241)
9/16(14.29)	10.4(0.41)	7.92(0.312)	9/16-18	20,000(1,379)	19,000(1,310)	18,000(1,241)
3/4(19.05)	14.2(0.56)	11.13(0.438)	3/4-16	20,000(1,379)	19,000(1,310)	18,000(1,241)
1(25.40)	18.3(0.72)	14.27(0.562)	1-14	20,000(1,379)	19,000(1,310)	18,000(1,241)

Basic Ordering Number and Dimensions

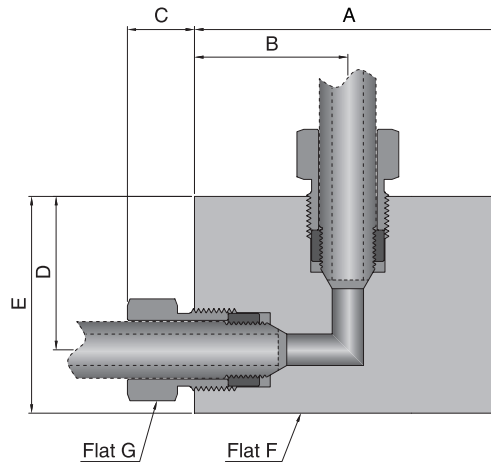
Dimensions are for reference only and are subject to change. Dimensions shown with collar and gland finger-tight.

Coupling



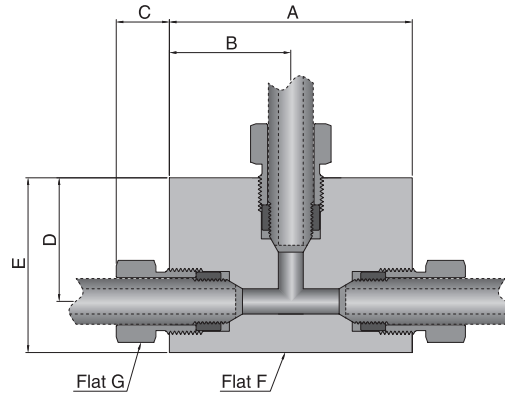
Basic Ordering Number	Tube O.D	Dimensions, mm (inch)			
		A	C	F	G
MPU-4	1/4	38.1(1.50)	9.7(0.38)	3/4	1/2
MPU-6	3/8	44.5(1.75)	12.2(0.48)	3/4	5/8
MPU-9	9/16	53.8(2.12)	17.3(0.68)	1	7/8
MPU-12	3/4	63.5(2.50)	15.0(0.59)	1 3/8	1 3/16
MPU-16	1	88.9(3.50)	18.8(0.74)	1 3/4	1 3/8

Elbow



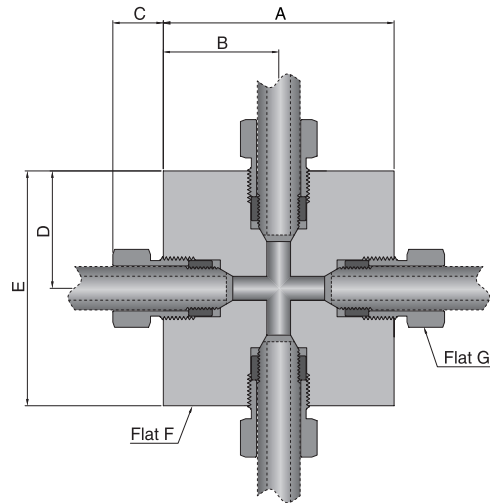
Basic Ordering Number	Tube O.D	Dimensions, mm (inch)						
		A	B	C	D	E	F	G
MPL-4	1/4	38.1(1.50)	19.1(0.75)	9.7(0.38)	19.1(0.75)	28.6(1.13)	5/8	1/2
MPL-6	3/8	50.8(2.00)	25.4(1.00)	12.2(0.48)	25.4(1.00)	35.1(1.38)	3/4	5/8
MPL-9	9/16	63.5(2.50)	31.8(1.25)	17.3(0.68)	31.8(1.25)	44.5(1.75)	1	7/8
MPL-12	3/4	76.2(3.00)	38.1(1.50)	15(0.59)	38.1(1.50)	57.2(2.25)	1 3/8	1 3/16
MPL-16	1	105(4.13)	52.3(2.06)	18.8(0.74)	52.3(2.06)	76.2(3.00)	1 3/4	1 3/8

Tee



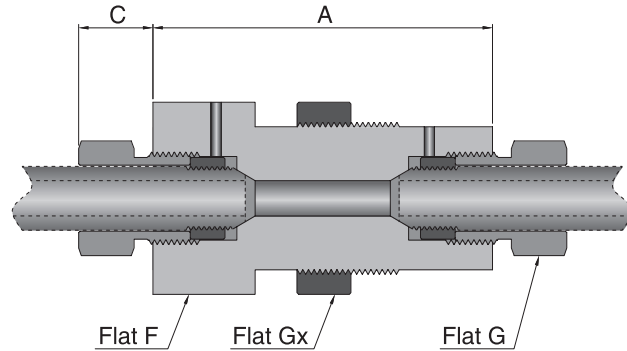
Basic Ordering Number	Tube O.D	Dimensions, mm (inch)						
		A	B	C	D	E	F	G
MPT-4	1/4	38.1(1.50)	19.1(0.75)	9.7(0.38)	19.1(0.75)	28.6(1.13)	5/8	1/2
MPT-6	3/8	50.8(2.00)	25.4(1.00)	12.2(0.48)	25.4(1.00)	35.1(1.38)	3/4	5/8
MPT-9	9/16	63.5(2.50)	31.8(1.25)	17.3(0.68)	31.8(1.25)	44.5(1.75)	1	7/8
MPT-12	3/4	76.2(3.00)	38.1(1.50)	15(0.59)	38.1(1.50)	57.2(2.25)	1 3/8	1 3/16
MPT-16	1	105(4.12)	52.3(2.06)	18.8(0.74)	52.3(2.06)	76.2(3.00)	1 3/4	1 3/8

Cross



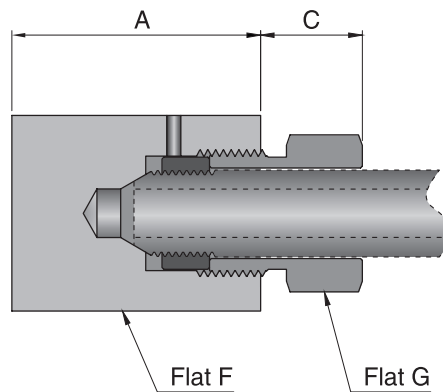
Basic Ordering Number	Tube O.D	Dimensions, mm (inch)						
		A	B	C	D	E	F	G
MPX-4	1/4	38.1(1.50)	19.1(0.75)	9.7(0.38)	19.1(0.75)	38.1(1.50)	5/8	1/2
MPX-6	3/8	50.8(2.00)	25.4(1.00)	12.2(0.48)	25.4(1.00)	50.8(2.00)	3/4	5/8
MPX-9	9/16	63.5(2.50)	31.8(1.25)	17.3(0.68)	31.8(1.25)	63.5(2.50)	1	7/8
MPX-12	3/4	76.2(3.00)	38.1(1.50)	15(0.59)	38.1(1.50)	76.2(3.00)	1 3/8	1 3/16
MPX-16	1	105(4.12)	52.3(2.06)	18.8(0.74)	52.3(2.06)	105(4.12)	1 3/4	1 3/8

Bulkhead



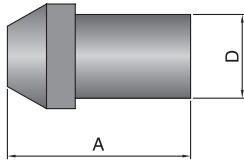
Basic Ordering Number	Tube O.D	Dimensions, mm (inch)						
		A	C	F	G	Gx	Panel hole Size	Maximum Panel Thickness
MPBH-4	1/4	50.8(2.00)	9.7(0.38)	1	1/2	1	22.4(0.88)	9.7(0.38)
MPBH-6	3/8	50.8(2.00)	12.2(0.48)	1	5/8	1	23.9(0.94)	9.7(0.38)
MPBH-9	9/16	66.5(2.62)	17.3(0.68)	1 3/8	7/8	1 3/8	31.8(1.25)	12.7(0.50)
MPBH-12	3/4	66.5(2.62)	15(0.59)	1 7/8	1 3/16	1 7/8	42.9(1.69)	9.7(0.38)
MPBH-16	1	88.9(3.50)	18.8(0.74)	2 1/8	1 3/8	2 1/8	50.8(2.00)	12.7(0.50)

Cap



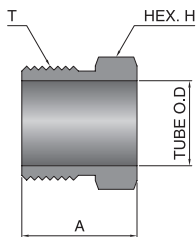
Basic Ordering Number	Tube O.D	Dimensions, mm (inch)			
		A	C	F	G
MPC-4	1/4	25.4(1.00)	9.7(0.38)	5/8	1/2
MPC-6	3/8	31.8(1.25)	12.2(0.48)	3/4	5/8
MPC-9	9/16	38.1(1.50)	17.3(0.68)	1	7/8
MPC-12	3/4	44.5(1.75)	15(0.59)	1 3/8	1 3/16
MPC-16	1	57.2(2.25)	18.8(0.74)	1 3/4	1 3/8

Plug



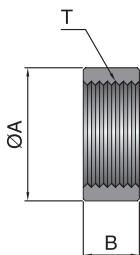
Basic Ordering Number	Tube O.D	Dimensions, mm (inch)	
		A	D
MPP-4	1/4	25.4(1.00)	6.4(0.25)
MPP-6	3/8	31.8(1.25)	9.5(0.38)
MPP-9	9/16	39.6(1.56)	14.2(0.56)
MPP-12	3/4	41.2(1.62)	19.1(0.75)
MPP-16	1	55.6(2.19)	25.4(1.00)

Gland



Basic Ordering Number	Tube O.D	Dimensions, mm (inch)		
		A	H	Thread, T
MPG-4	1/4"	14.2 (0.56)	12.7 (0.5)	7/16 - 20 UNF
MPG-6	3/8"	18.3 (0.72)	15.8 (0.62)	9/16 - 18 UNF
MPG-9	9/16"	25.4 (1.00)	22.2 (0.87)	13/16 - 16 UNF
MPG-12	3/4"	23.9 (0.94)	28.5 (1.12)	3/4 - 14 NPSM
MPG-16	1"	35.1 (1.38)	34.9 (1.37)	1-3/8 - 12 UNF

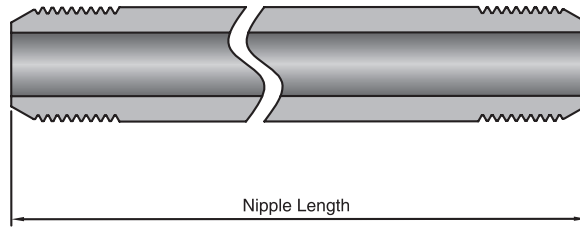
Collar



Basic Ordering Number	Tube O.D	Dimensions, mm (inch)		
		A	B	Thread, T
MPC-4	1/4"	9.7 (0.38)	5.6 (0.22)	1/4 - 28 L.H
MPC-6	3/8"	11.9 (0.47)	6.4 (0.25)	3/8 - 24 L.H
MPC-9	9/16"	18.3 (0.72)	7.9 (0.31)	9/16 - 18 L.H
MPC-12	3/4"	23.9 (0.94)	9.7 (0.37)	3/4 - 16 L.H
MPC-16	1"	31.8 (1.25)	12.7 (0.5)	1 - 14 L.H

Cone & Thread Nipples

Cone & Thread Nipple's standard material is 316 stainless steel.
 The length is up to 304.8mm (12"), gland and collar are not included.
 Product number is shown in the table below.



Tube O.D inch	Tube I.D inch	Working Pressure, psi						
		Nipple Length, mm (inch)						
		70 (2.75)	76.2 (3)	101.6 (4)	152.4 (6)	203.2 (8)	254 (10)	304.8 (12)
1/4	7/64	MPN-4-2.75S	MPN-4-3S	MPN-4-4S	MPN-4-6S	MPN-4-8S	MPN-4-10S	MPN-4-12S
3/8	13/64		MPN-6-3	MPN-6-4S	MPN-6-6S	MPN-6-8S	MPN-6-10S	MPN-6-12S
9/16	5/16			MPN-9-4S	MPN-9-6S	MPN-9-8S	MPN-9-10S	MPN-9-12S
3/4	7/16				MPN-12-6S	MPN-12-8S	MPN-12-10S	MPN-12-12S
1	9/16				MPN-16-6S	MPN-16-8S	MPN-16-10S	MPN-16-12S

Tubing

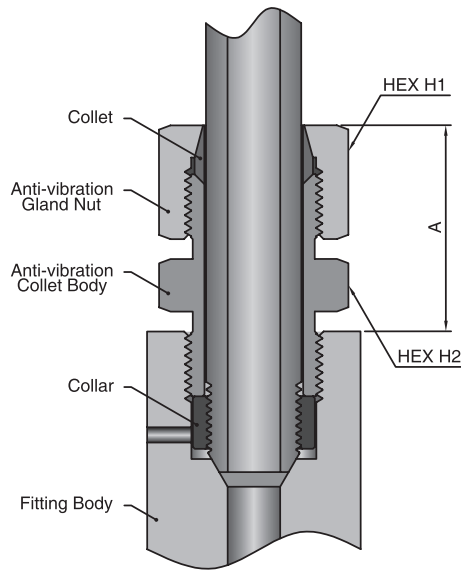
Cold-drawn 1/2 hard condition seamless tubing.
 Tubing with approximately 40% higher strength than annealed tubing.
 Standard length is 6 meters.
 Standard material is 316 stainless steel.



Basic Ordering Number	Tube O.D inch	Tube I.D mm (inch)
MPTSS-4-6M	1/4	2.8 (0.109)
MPTSS-6-6M	3/8	5.2 (0.203)
MPTSS-9-6M	9/16	7.9 (0.312)
MPTSS-12-6M	3/4	11.1 (0.438)
MPTSS-16-6M	1	14.3 (0.563)

Anti-vibration Assemblies

For Piping systems subjects to severe vibration and shock, it is recommended to use anti-vibration assemblies. Using anti-vibration assemblies can help ensure stability of the system and extend life of tube connection. Anti-vibration assemblies are available for all S-LOK medium pressure fitting - MP Series



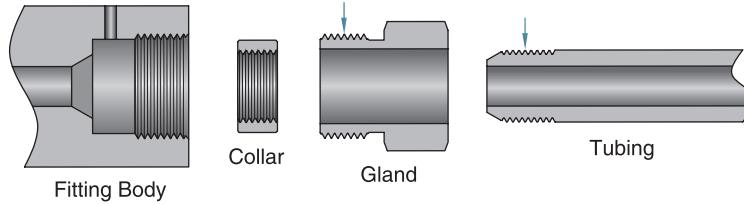
Basic Ordering Number	Tube O.D inch	Dimensions, mm (inch)		
		A	H1	H2
MPAV-4	1/4	23.9 (0.94)	15.8 (0.62)	15.8 (0.62)
MPAV-6	3/8	30 (1.18)	19.1 (0.75)	19.1 (0.75)
MPAV-9	9/16	36.6 (1.44)	23.9 (0.94)	23.9 (0.94)
MPAV-12	3/4	39.6 (1.56)	34.9 (1.37)	34.9 (1.37)
MPAV-16	1	44.5 (1.75)v	44.5 (1.75)	44.5 (1.75)

Anti-vibration Components

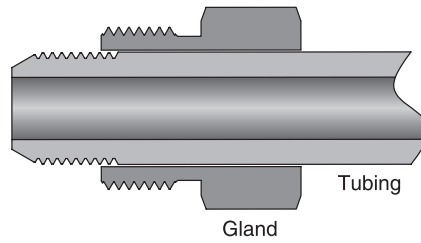
Tube O.D inch	Basic Ordering Number			
	Collet	Anti-vibration Gland Nut	Anti-vibration Collet Body	Collar
1/4	MPAVC-4	MPAVN-4	MPAVB-4	MPC-4
3/8	MPAVC-6	MPAVN-6	MPAVB-6	MPC-6
9/16	MPAVC-9	MPAVN-9	MPAVB-9	MPC-9
3/4	MPAVC-12	MPAVN-12	MPAVB-12	MPC-12
1	MPAVC-16	MPAVN-16	MPAVB-16	MPC-16

Installation Instructions - Medium Pressure Cone and Thread Fitting - MP Series

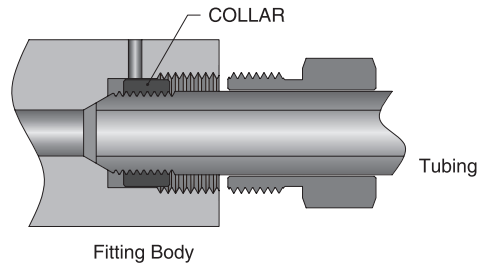
- Lubricate all male threads with anti-seize lubricant.
Lubricate cone end of the tube with system a compatible lubricant.



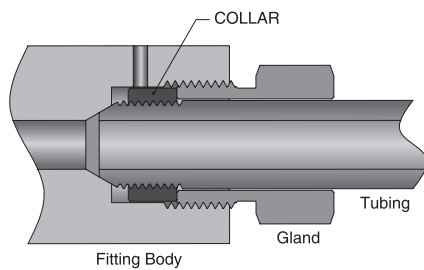
- For standard fittings, slide the tubing into the gland.
For anti-vibration assemblies, slide the tubing into the anti-vibration collet body and collet onto tubing.



- Rotate the collar counter-clockwise until 1 ~ 2 full threads are exposed at the conical end of the tube, then insert into the fitting body. Make sure the conical end of the tubing rests firmly on the angled seat of the fitting body.



- For standard fittings thread the gland into the fitting body until finger tight.
Hold the fitting body firmly and tighten the gland to the required torque.
For anti-vibration assemblies, thread the anti-vibration collet body into the fitting body until finger tight.
Tighten the anti-vibration collet body to specified torque.
Then thread the anti-vibration gland nut onto the anti-vibration collet body until finger tight.
Tighten the anti-vibration gland nut to the required torque.



Tube O.D inch	Required Torque N-m (kgf-cm)
1/4	27 (275.3)
3/8	40.5 (413)
9/16	75.5 (769.9)
3/4	125 (127.4)
1	215 (2192)