

Bleed & Purge Valves

The best partner for value creation
We support the innovations of customer



06



Catalogue No. S-LOK Jan.2023

SBLV Series Bleed Valves

S-LOK bleed valve is designed to use on instrumental fluidhandling apparatus such as manifolds and gauge root valves in order to vent signal line pressure to atmosphere before disassembly of an instrument or to facilitate in calibration of a control device.

Features

- Pressure rating up to 10,000psi(689bar)@100°C(38°C).
- Back stop screw prevents from the accidental removal of stem.
- Stem is Hard Chrome Plated for maximum service life.
- Size range from 1/8" to 1/2" Tubing and piping system.
- Variety of End connections include S-LOK, NPT & ISO pipe threads Male/ Female



Technical Data

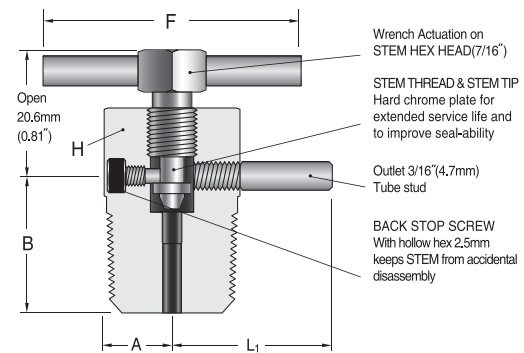
Material	Temperature Rating	Pressure Rating
Stainless Steel 316	-65 to 850°F (-54 to 454°C)	10,000psi(689bar) at 100°F(38°C)
Carbon Steel	-20 to 450°F (-29 to 232°C)	
Alloy 400	-65 to 500°F (-54 to 260°C)	

CNG / NGV Certifications

Valve Series	Certificates	ECE R110	ANSI NGV 3.1 - 2012	ISO 15500
SBLV Series	Certificate No.	110R-126838	126838AUT13	126838MECH102
	Classification	Class 0	Manual valve	Manual valve
	Temperature	-40 to 120°C (-40 to 248°F)	-40 to 120°C (-40 to 248°F)	-40 to 120°C (-40 to 248°F)
	Working Pressure	260 bar @ 120°C	248 bar @ 120°C	260 bar @ 120°C

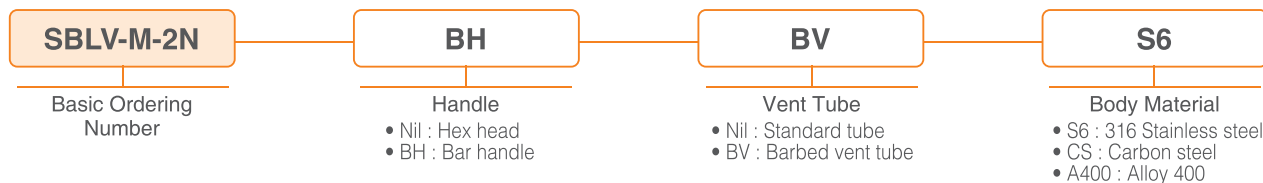
Materials of construction

Description	Body Materials / ASTM and JIS Spec.		
	Stainless Steel 316	Carbon Steel	Alloy 400
Body	SS316 A276 or A479	S45C	Monel 400 / B164
Stem		SS316 A276 or A479	
Back Stop Screw			Monel 400 / B165
Vent Tube	SS316 A213 or A269		Monel 400 / B165



Ordering Information and Dimensions

Basic Ordering Number	End Connection	Orifice mm. (Cv)	Dimensions inch (mm)				
			A	B	L ₁	H	F
SBLV-M-2N	1/8" Male NPT	3.2 (0.25)	0.31 (7.9)	0.75 (19.1)	0.91 (23.0)	5/8 (15.87)	2.0 (50.8)
SBLV-M-4N	1/4" Male NPT		0.44 (11.1)	0.88 (22.5)	1.03 (26.2)	7/8 (22.2)	
SBLV-M-6N	3/8" Male NPT						
SBLV-M-8N	1/2" Male NPT						



SPUV Series Purge Valves

S-LOK Purge valves are mainly for bleed, vent or drain purpose. The knurled cap is not separable from the valve body for safety purpose. 1/4 turns of wrench pull-up from finger tight gives leak-free closure on first make-up. Proper tightening with a wrench secures for the closer rate to the desired pressure rate with sufficient make-ups.

Features

- Pressure rating up to 4,000psig(275bar) for 316 stainless steel and up to 3,000 psig(206bar) for Carbon Steel and Brass at 100°F (38°C)
- Temperature rating from -65°F to 600°F (-54°C to 315°C) with Stainless Steel, from -65°F to 400°F (-54°C to 204°C) with carbon steel, from -20°F to 350°F (-29°C to 177°C) with brass.
- Vent hole bleeds excessive liquid or gas from the system lines.
- Knurled cap is crimped to valve body to prevent an accidental removal of the body.
- Size range from 1/8" to 1/2" tubing and piping system.
- Variety of end connections including S-LOK tube fittings, male/female NPT and ISO, SAE threads.



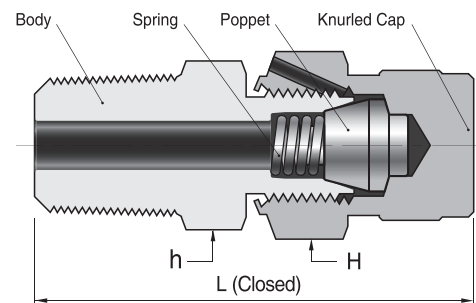
CNG / NGV Certifications

Valve Series	Certificates	ECE R110	ANSI NGV 3.1 - 2012	ISO 15500
SPUV Series	Certificate No.	110R-126838	126838AUT13	126838MECH102
	Classification	Class 0	Manual valve	Manual valve
	Temperature	-40 to 120°C (-40 to 248°F)	-40 to 120°C (-40 to 248°F)	-40 to 120°C (-40 to 248°F)
	Working Pressure	260 bar @ 120°C	248 bar @ 120°C	260 bar @ 120°C

Ordering Information and Dimensions

Basic Ordering Number	Connection Type	Dimensions inch (mm)		
		L	h	H
F -2N	1/8 Female NPT	1.56 (35.3)	9/16 (14.28)	5/8 (15.87)
F -4N	1/4 Female NPT	1.75 (39.8)	3/4 (19.05)	
F -6N	3/8 Female NPT	1.81 (41.6)	7/8 (22.22)	
F -8N	1/2 Female NPT	1.98 (46.5)	1-1/16 (26.98)	
M -2N	1/8 Male NPT	1.62 (36.8)	1/2 (12.7)	
M -4N	1/4 Male NPT	1.81 (41.9)	9/16 (14.28)	
M -6N	3/8 Male NPT	1.84 (42.4)	11/16 (17.46)	
M -8N	1/2 Male NPT	2.09 (48.7)	7/8 (22.22)	
M -4U	1/4in, 7/16-20	1.69 (38.0)	9/16 (14.28)	
M -8U	1/2in, 3/4-16	1.81 (41.6)	7/8 (22.22)	
S -2T	1/8 S-LOK	1.84 (42.6)	1/2 (12.7)	
S -4T	1/4 S-LOK	1.94 (44.9)	1/2 (12.7)	
S -6T	3/8 S-LOK	2.03 (47.2)	5/8 (15.87)	
S -8T	1/2 S-LOK	2.19 (51.0)	13/16 (20.64)	
S -6M	6mm S-LOK	1.94 (45.0)	(14.0)	
S -8M	8mm S-LOK	2.0 (46.3)	(15.0)	
T -4T	1/4 Tube Stub	1.87 (43.2)	1/2 (12.7)	
T -6T	3/8 Tube Stub	1.94 (44.6)	1/2 (12.7)	
T -8T	1/2 Tube Stub	2.15 (50.3)	9/16 (14.28)	

Materials of construction



Description	Body Materials Grade / ASTM Spec.		
	Stainless Steel 316	Carbon Steel	Brass
Body	SS316	Carbon Steel	Brass
Knurled Cap	A276 or A479	Carbon Steel	Brass
Poppet	SS316 / A276 or A479		
Spring	SS302 / A313		

How to Order

Use S6 for 316 stainless steel, CS for carbon steel, or BS for brass as a suffix to the basic part number. (※ Example : SPUV-S-2T-S6)

Option

PTFE Poppet : PTFE poppet provides leak tight shut-off with finger Pressure rating up to 200 psig (13.7bar) at 100°F (37°C) Temperature rating up to 300°F (176°C) To order, add designator-P as a suffix to the basic part number. **Example** : SPUV-S-2N-P-S6

Caution : When installing a S-LOK purge valve, the vent hole should be positioned not to influence the system fluid on operators. As the vent hole turns with the cap, discharging the valve is executed by turning the cap and be sure that purge valves should be always opened slowly in order to protect operators from exposure to hazardous system fluids.

S-LOK[®]